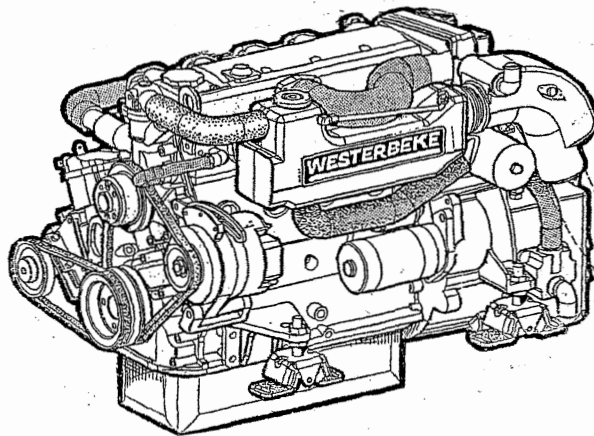


# PARTS LIST

## MARINE DIESEL ENGINE 55B-FOUR, 55C-FOUR, and 55D-FOUR



PUBLICATION NO. 056521  
REVISION 0  
NOVEMBER 2017

**WESTERBEKE**

WESTERBEKE CORPORATION • 150 JOHN HANCOCK ROAD  
MYLES STANDISH INDUSTRIAL PARK • TAUNTON MA 02780  
WEBSITE: [WWW.WESTERBEKE.COM](http://WWW.WESTERBEKE.COM)

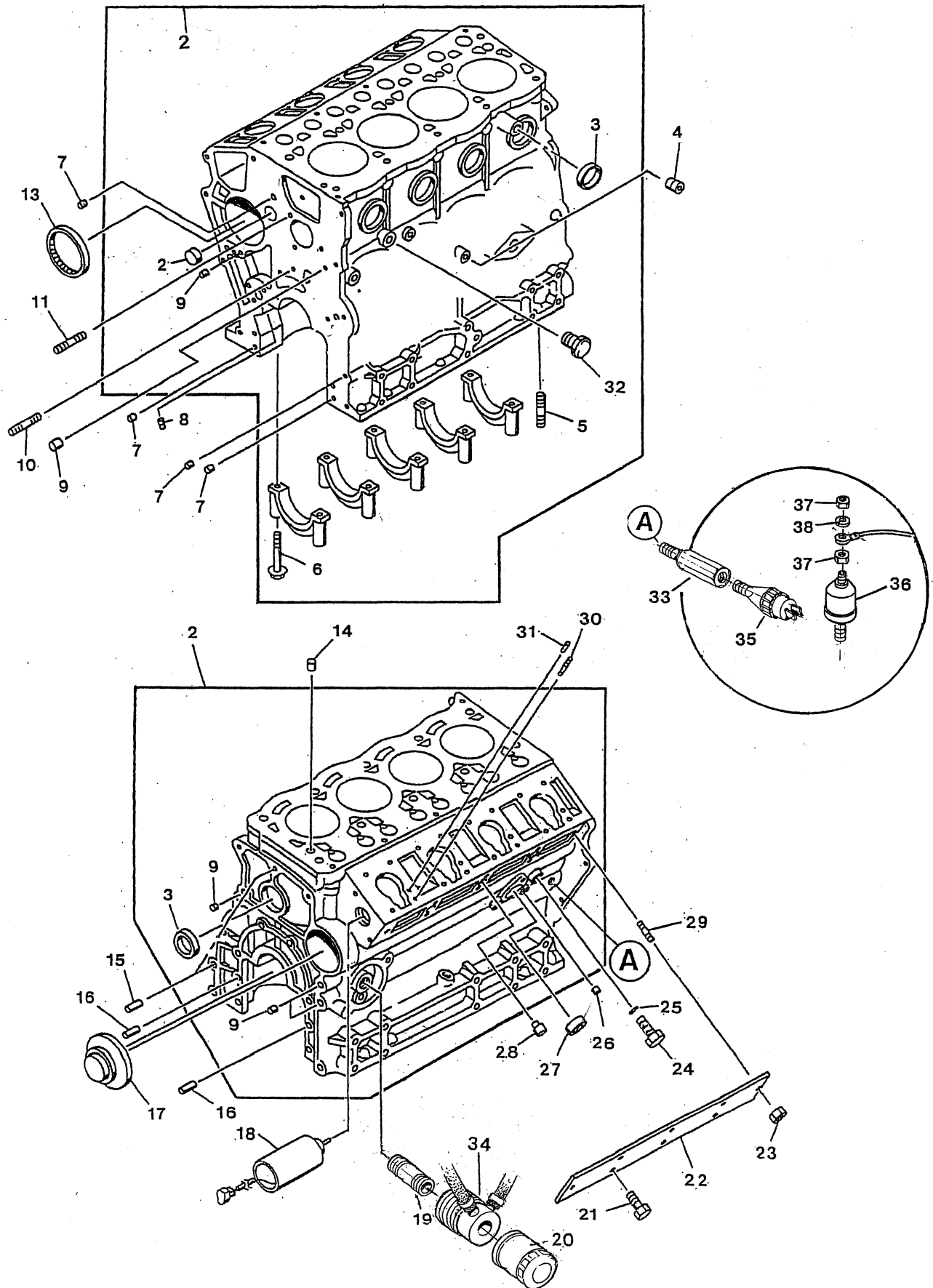
 *Member National Marine Manufacturers Association*



# TABLE OF CONTENTS

<b>CYLINDER BLOCK / OIL FILTER</b> .....	2	<b>RAW WATER PUMP</b> .....	24
PARTS LIST .....	3	PARTS LIST .....	24
<b>CYLINDER HEAD</b> .....	4	<b>STARTER MOTOR</b> .....	25
PARTS LIST .....	5	PARTS LIST .....	25
<b>CAMSHAFT / ROCKER SHAFT / VALVES</b> .....	6	<b>BACK END ZF / HBW TRANSMISSIONS / REAR MOUNTS</b> .....	26
PARTS LIST .....	7	PARTS LIST .....	27
<b>CRANKCASE / PISTONS / FLYWHEEL</b> .....	8	<b>OIL COOLER ASSEMBLY</b> .....	28
PARTS LIST .....	9	PARTS LIST .....	28
<b>OIL PUMP</b> .....	10	<b>HBW TRANSMISSION SHIFTER BRACKETS</b> .....	29
PARTS LIST .....	10	PARTS LIST .....	29
<b>OIL SUMP / CRANKSHAFT SEAL</b> .....	11	<b>ELECTRICAL SYSTEM</b> .....	30
PARTS LIST .....	11	PARTS LIST .....	31
<b>GOVERNOR EXTERNAL COMPONENTS</b> .....	12	<b>WARNER HYDRAULIC TRANSMISSION</b> .....	32
PARTS LIST .....	13	PARTS LIST .....	33
<b>GOVERNOR ASSEMBLY</b> .....	14	<b>THROTTLE BRACKET</b> .....	34
PARTS LIST .....	14	PARTS LIST .....	34
<b>WATER PUMP / THERMOSTAT</b> .....	15	<b>RAW WATER PUMP MOUNTING</b> .....	35
PARTS LIST .....	15	PARTS LIST .....	35
<b>INJECTION PUMP / INJECTORS / FUEL RETURN</b> .....	16	<b>FRONT MOUNTS, COMPRESSOR MOUNTS</b> .....	36
PARTS LIST .....	17	PARTS LIST .....	37
<b>HEAT EXCHANGER / TRANSMISSION COOLER</b> .....	18	<b>ALTERNATORS, MOUNTS / DRIVE BELTS</b> .....	38
PARTS LIST .....	18	PARTS LIST .....	39
<b>FUEL PUMP / FUEL FILTER</b> .....	19	<b>REMOTE LUBE OIL FILTER ASSEMBLY</b> .....	40
PARTS LIST .....	19	PARTS LIST .....	40
<b>EXHAUST MANIFOLD / AIR INTAKE</b> .....	20	<b>MISCELLANEOUS</b> .....	41
PARTS LIST .....	21		
<b>INSTRUMENT PANELS</b> .....	22		
PARTS LIST .....	23		

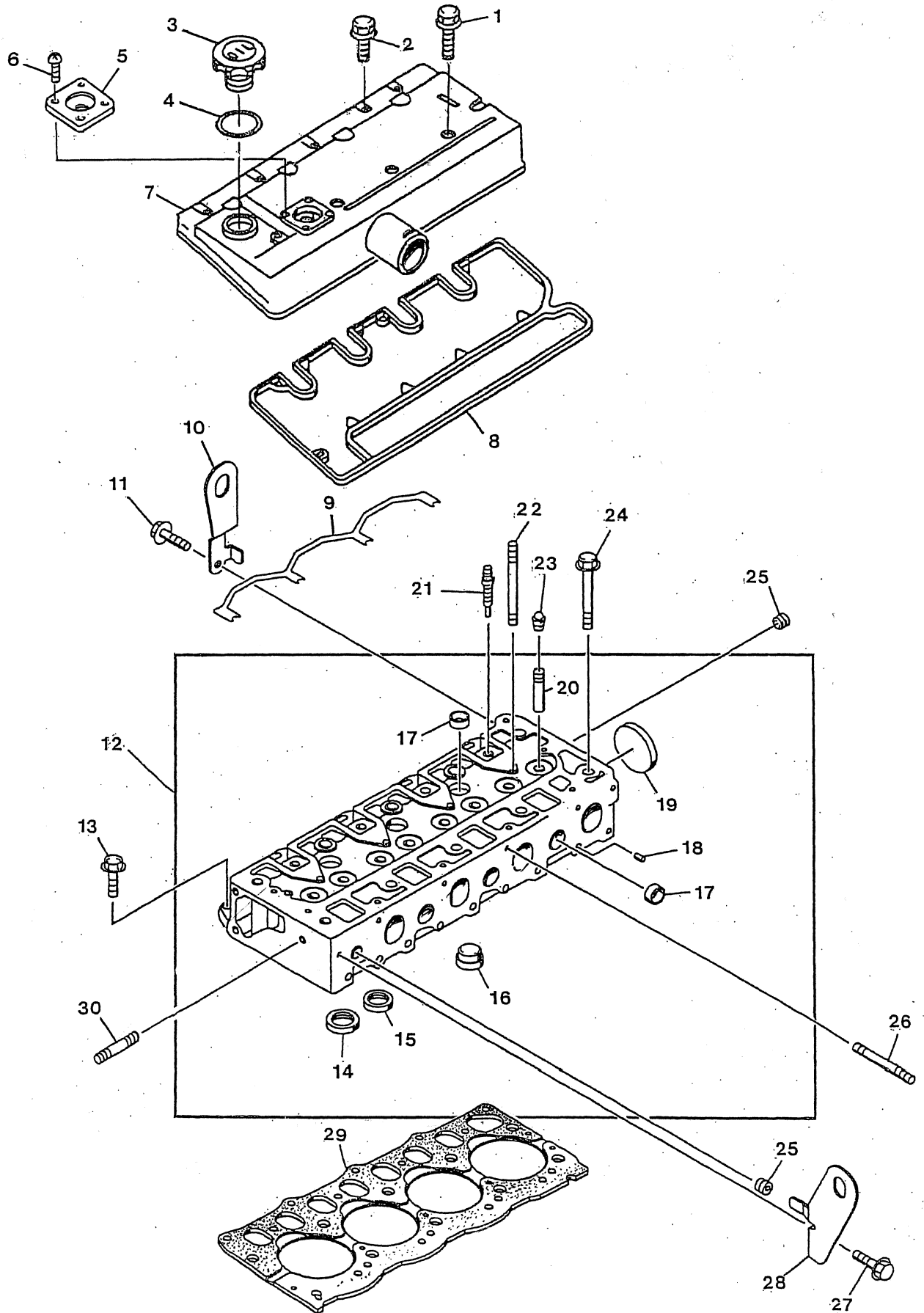
# CYLINDER BLOCK / OIL FILTER



## CYLINDER BLOCK / OIL FILTER

Item	Part No.	Quantity	Name/Description
1	047892	1	ENGINE, ASSEMBLY
2	047563	1	BLOCK, BARE
3	047440	5	PLUG, EXPANSION 35MM
4	047381	1	PLUG, 1/4 BSPT
5	047592	2	STUD, SUMP M 6 x1 6
6	047424	10	BOLT, MAIN BEARING CAP
7	047623	4	DOWEL
8	047613	1	PLUG, OIL GALLERY
9	047391	5	PLUG, OIL GALLERY
10	047933	1	STUD, TIMING CASE M 8 x 50
11	047591	1	STUD, WATER PUMP M 8x 40
12	047569	1	PLUG, EXPANSION 22MM
13	047486	1	BEARING, NEEDLE
14	047438	2	DOWEL
15	047599	2	DOWEL
16	047619	2	DOWEL
17	047487	1	PLUG, THRUST
18	047566	1	SOLENOID, FUEL 12 VDC
19	047447	1	NIPPLE, OIL FILTER
20	036918	1	FILTER, OIL
21	047357	5	CAPSCREW, M 6 x 14 JIS-FLANGE BT
22	047528	1	COVER, BLOCK SIDE
23	036211	2	NUT, M 6 JIS-FLANGE
24	047392	1	PLUG
25	047616	1	WASHER, BANJO M14
26	047394	1	PLUG, 1/8 BSPT
27	047380	1	PLUG, EXPANSION 32MM DIN 443
28	047473	1	PIN
29	047592	2	STUD, M 6 x 16
30	047378	8	STUD, INJECTION PUMP M 8 x 36
31	047620	2	DOWEL
32	047618	1	PLUG, DRAIN 1/4 BSPT
33	040597	2	ADAPTER, 1/8 BSPT TO 1/8 NPT
34	047974	1	COOLER, OIL
35	037323	1	SWITCH, OIL PRESSURE
36	024132	1	SENDER, OIL PRESSURE
37	038147	2	NUT, 10-32 HEX SS
38	038149	1	LOCKWASHER, 10 SS

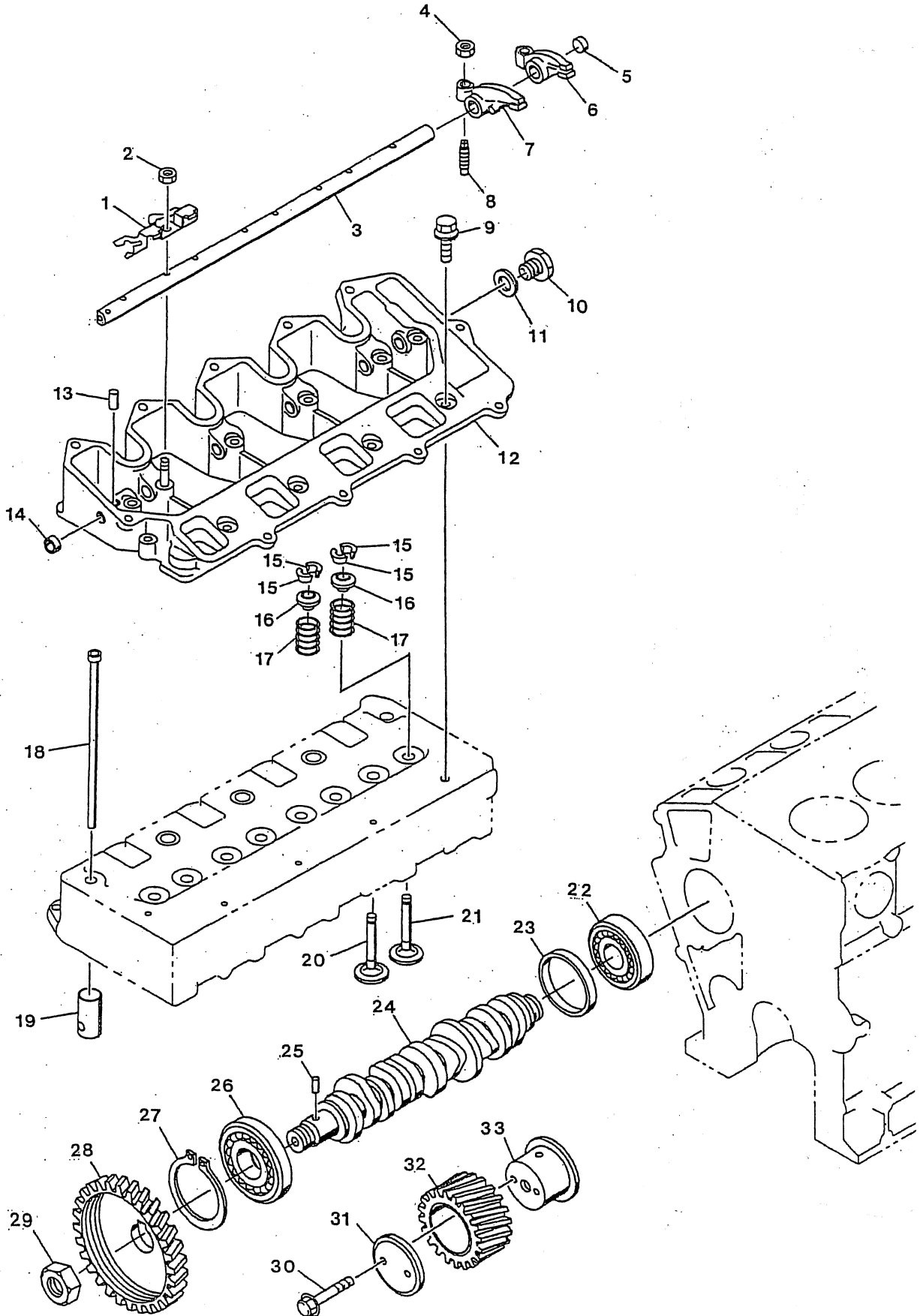
# CYLINDER HEAD



# CYLINDER HEAD

Item	Part No.	Quantity	Name/Description
1	047361	5	CAP SCREW, M 6 x 45 JIS-FLANGE 8T
2	047358	5	CAP SCREW, M 6 x 20 JIS-FLANGE 8T
3	047419	1	CAP, OIL FILL
4	047414	1	GASKET, OIL FILL CAP
5	047448	1	VALVE, PCV
6	047596	4	SCREW, M 4 x 10 with LOCKWASHER
7-1	047526	1	COVER, ROCKER
7-2	052012	1	COVER, ROCKER 55C/D
8-1	047529	1	GASKET, ROCKER COVER 55B
8-2	053538	1	GASKET, ROCKER COVER 55C/D
9-1	047562	1	STRAP, GLOWPLUG CONNECTING 55B
9-2	054321	1	STRAP, GLOWPLUG CONNECTING 55C
9-3	055466	1	STRAP, GLOWPLUG CONNECTING 55D
10	040611	1	EYE, LIFTING FRONT
11	047363	1	CAP SCREW, M 8 x 16 JIS - FLANGE 8T
12-1	047521	1	HEAD, CYLINDER 55B/D
12-2	054315	1	HEAD, CYLINDER 55C
13	047458	5	BOLT, CYLINDER HEAD M 8 x 25
14	047481	4	SEAT, VALVE EXHAUST
15	047480	4	SEAT, VALVE INTAKE
16	047523	4	INSERT, COMBUSTION
17	047569	4	PLUG, EXPANSION 22
18	047590	6	PLUG, TAPER 8MM
19	047379	10	PLUG, EXPANSION 45MM DIN 443
20	047589	1	GUIDE, VALVE
21	047512	4	GLOWPLUG, 12 VDC (55B-55D) <b>USE 054346 for 55C</b>
22	047508	10	STUD, ROCKER BRACKET
23	047412	2	SEAL, OIL-VALVE GUIDE
24	047471	2	BOLT, CYLINDER HEAD M12 x 89 PLUG,
25	047393	1	3/8 BSPT
26	047386	1	STUD, EXHAUST MANIFOLD M 8 x 79
27	047363	1	CAP SCREW, M 8 x 16 JIS-FLANGE 8T
28	047504	1	EYE, LIFTING REAR
29-1	047568	1	GASKET, HEAD 55B/D
29-2	054326	1	GASKET, HEAD 55C
30	047591	1	STUD, M 8 x 40

# CAMSHAFT - ROCKER SHAFT - VALVES

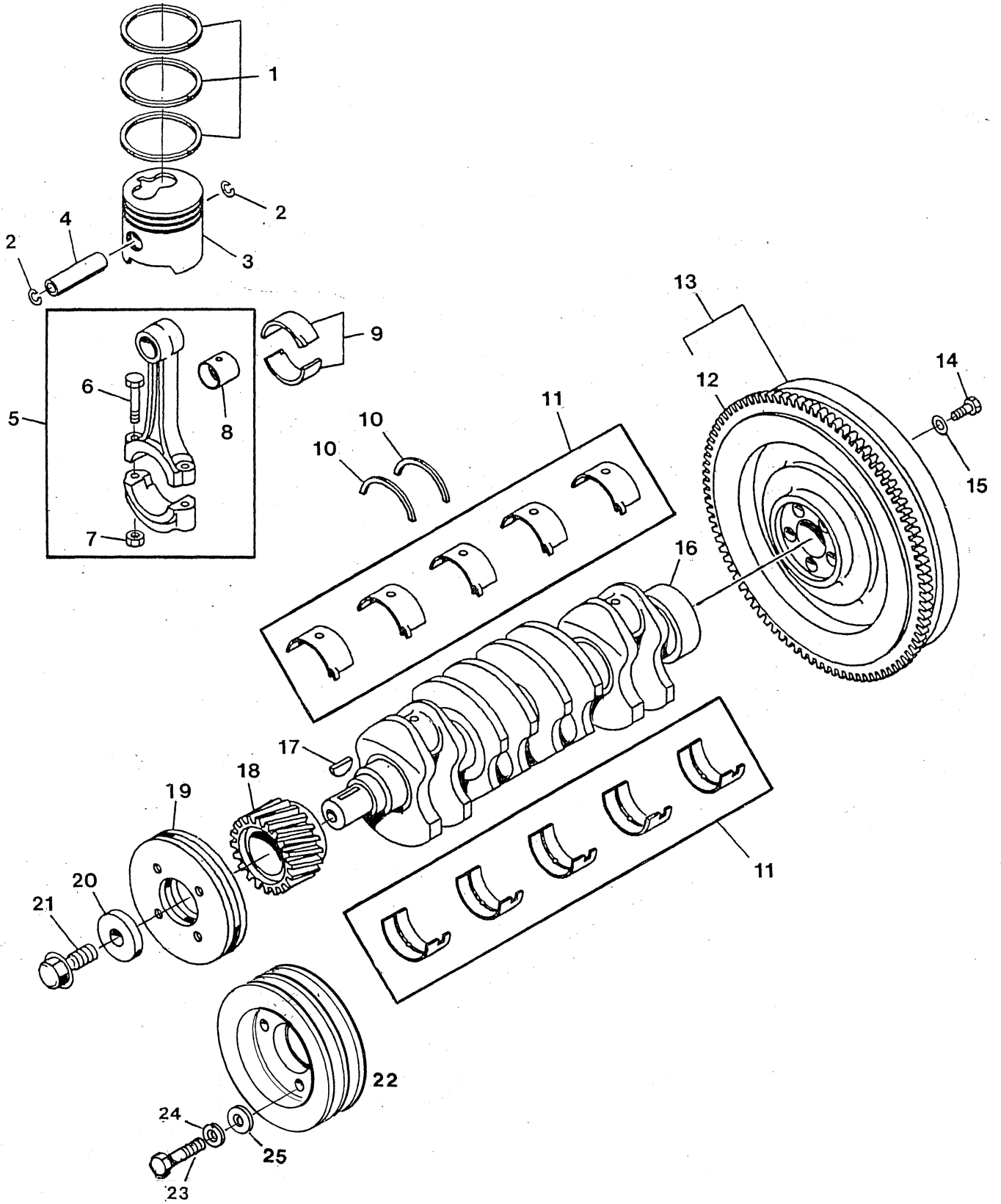




# CAMSHAFT - ROCKER SHAFT - VALVES

Item	Part No.	Quantity	Name/Description
1	047497	1	SPRING, ROCKER SHAFT
2	036211	6	NUT, M 6 JIS-FLANGE
3	047527	1	SHAFT, ROCKER
4	047605	8	NUT, ROCKER ADJUST
5	047474	1	PLUG
6	047574	4	ROCKER, EXHAUST
7	047573	4	ROCKER, INTAKE
8	047459	8	SCREW, ROCKER ADJUST
9-1	047362	5	CAPSCREW, M 6 x 50 JIS-FLANGE 8T
9-2	047359	5	CAPSCREW, M 6x25 JIS-FLANGE 8T
10	047625	1	PLUG M 14 x 1.5
11	047615		WASHER
12-1	047532	1	BRACKET, ROCKER 55B
12-2	054347	1	BRACKET, ROCKER 55C/D
13	047601	1	PIN, SPRING
14	047391	1	PLUG
15	047442	16	COLLET
16	047443	8	SEAT, VALVE SPRING
17	047468	8	SPRING, VALVE
18	047496	8	PUSHROD
19	047530	8	TAPPET
20	047509	4	VALVE, INTAKE
21	047483	4	VALVE, EXHAUST
22	047595	1	BEARING, BALL
23	047493	1	RING, CAMSHAFT
24-1	047549	1	CAMSHAFT INCL REF 22 THRU 26 (55B/D)
24-2	054341	1	CAMSHAFT, INCLUDING ITEMS 22 - 26 (55C)
25	047621	1	DOWEL, CAMSHAFT
26	047449	1	BEARING, BALL
27	047610	1	RING, RETAINING
28	047510	1	GEAR, CAMSHAFT
29	047388	1	NUT, CAMSHAFT GEAR
30	047372	1	CAPSCREW, M 8 x 45 JIS-FLANGE 9T
31	047403	1	PLATE, THRUST
32	047537	1	GEAR, IDLER INCL BUSHING
33	047536	1	SHAFT, IDLER GEAR

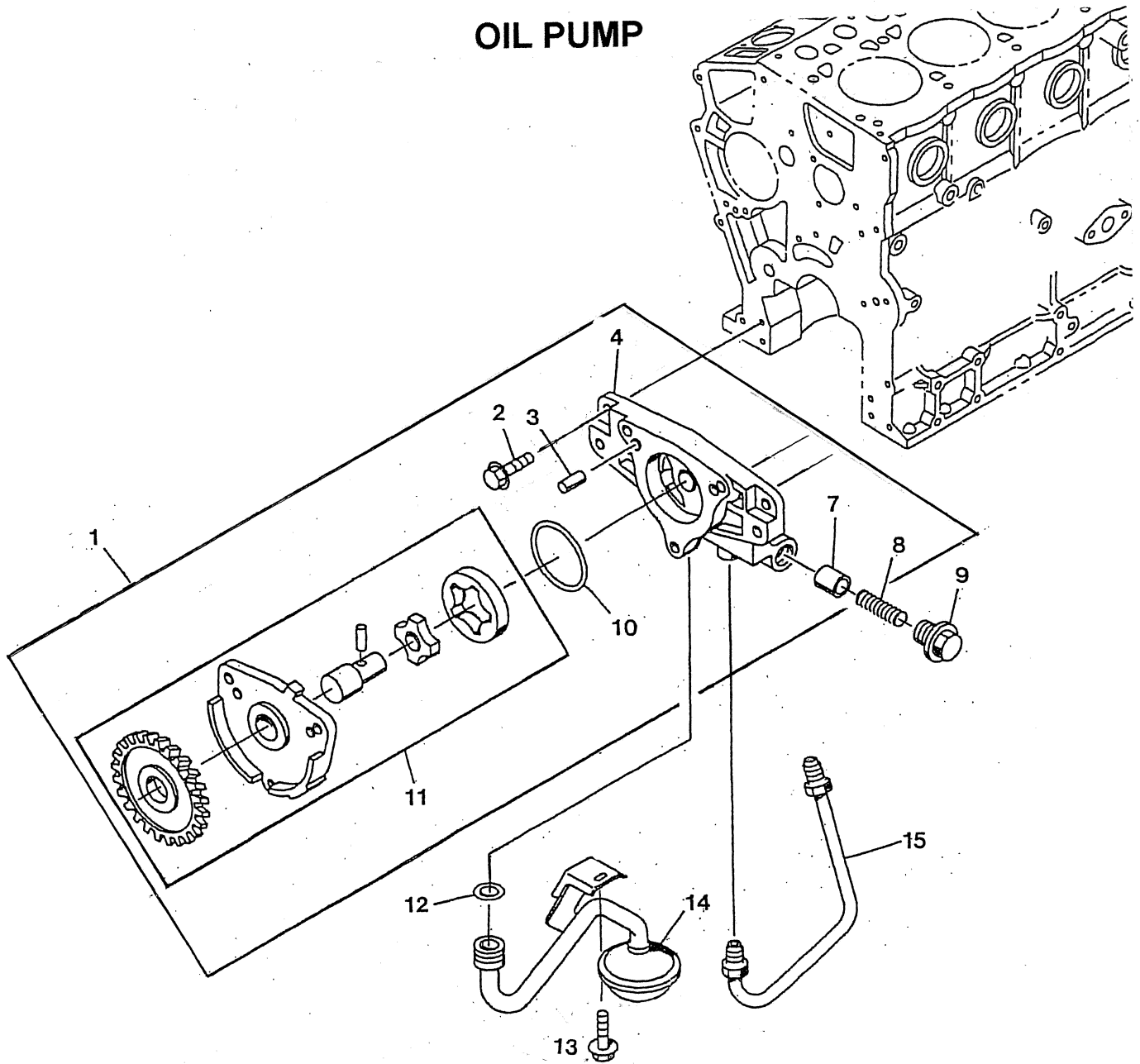
# CRANKSHAFT/PISTONS - FLYWHEEL



# CRANKSHAFT· PISTONS - FLYWHEEL

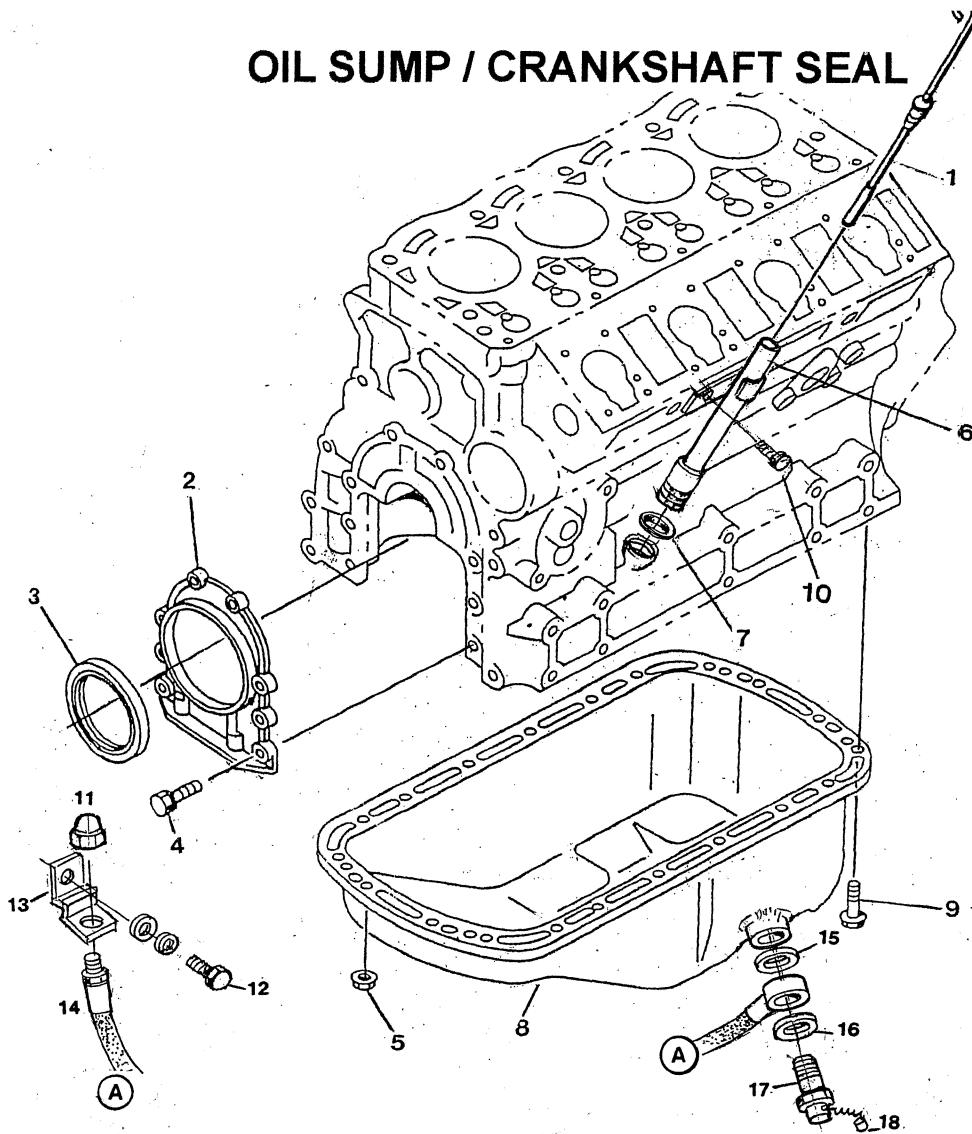
Item	Part No.	Quantity	Name/Description
1-1	047544	4	RING SET, STD
1-2	047545	4	RING SET, 0.25
2	047413	8	RING, RETAINING
3-1	047567	4	PISTON, STD
3-2	047505	4	PISTON, 0.25
4	047402	4	PIN, PISTON
5	047485	4	ROD, CONNECTING
6	047437	8	ROD, CONNECTING ROD
7	047439	8	NUT, CONNECTING ROD BOLT
8	047575	4	BUSHING, CONNECTING ROD
9	047423	4	BEARING, SET CONNECTING ROD STD
10	047401	2	WASHER, THRUST
11	047546	1	BEARING, SET MAIN STD
12	030230	1	GEAR, RING
13	046650	1	FLYWHEEL, ASSEMBLY
14	047420	6	BOLT, FLYWHEEL
15	047465	6	WASHER, FLYWHEEL BOLT
16	047522	1	CRANKSHAFT
17	047436	1	KEY, WOODRUFF
18-1	047466	1	GEAR, CRANKSHAFT (55B)
18-2	054338	1	GEAR, CRANKSHAFT (55C/D)
19-1	047513	1	PULLEY, CRANKSHAFT 5 x 1 x 3/8 (55B)
19-2	054319	1	PULLEY, CRANKSHAFT 5 x 1 x 3/8 (55C/D)
20	047421	1	WASHER, CRANKSHAFT PULLEY
21	047452	1	BOLT, CRANKSHAFT PULLEY
22-1	046690	1	PULLEY, CRANKSHAFT 5 x 2 x 3/8 (55B/C/D)
22-2	043082	1	PULLEY, CRANKSHAFT 5 x 3 x 3/8 (55B/C/D)
22-3	046561	1	PULLEY, CRANKSHAFT 5 x 4-x 3/8 (55B/C/D)
23	013619	4	CAPSCREW, M 8 x 30 x 1.25
24	031786	4	LOCKWASHER, M 8
25	031787	4	FLATWASHER, M 8

# OIL PUMP



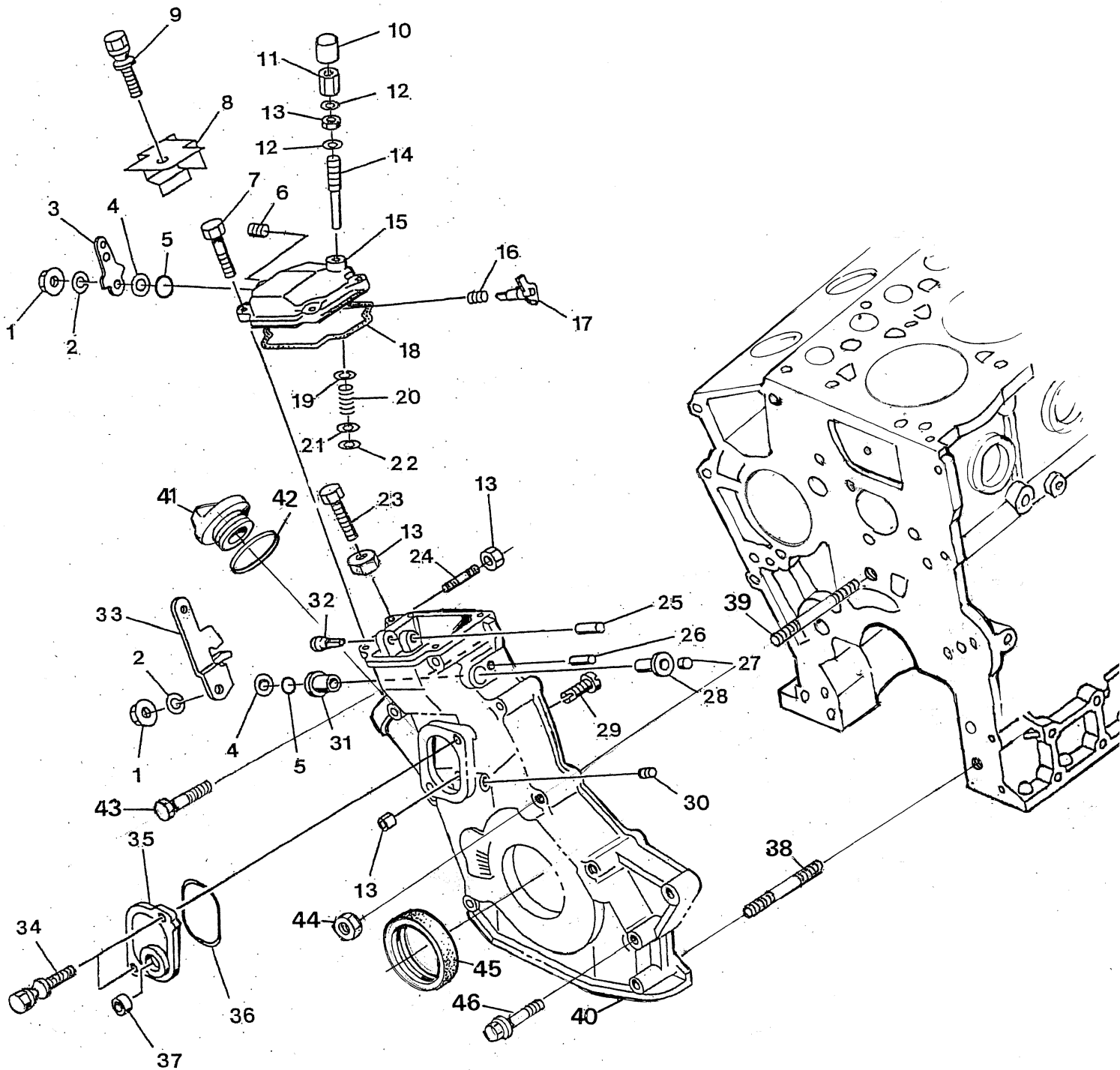
Item	Part No.	Quantity	Name/Description
1	04 7488	1	PUMP, OIL
2	047365	4	CAPSCREW, M 8 x3 0 JIS-FLANGE BT
3	047619	2	DOWEL
4	047489	1	BODY, OIL PUMP
5	047360	2	CAPSCREW, M 6 x 30 JIS-FLANGE 8T
6	047362	1	CAPSCREW, M 6 x 50 JIB-FLANGE BT
7	047441	1	VALVE, OIL RELIEF
8	047520	1	SPRING, OIL RELIEF VALVE
9	047408	1	PLUG, OIL RELIEF VALVE
10	047514	1	O-RING
11	047479	1	ROTOR, OIL PUMP ASSEMBLY
12	047383	1	GASKET, STRAINER TO OIL PUMP
13	047363	1	CAPSCREW, M 8x16 JIS-FLANGE 8T
14	047524	1	STRAINER, OIL PICKUP
15	047482	1	LINE, OIL PUMP TO BLOCK

# OIL SUMP / CRANKSHAFT SEAL



Item	Part No.	Quantity	Name/Description
1-1	047454	1	DIPSTICK, 55C
1-2	055474	1	DIPSTICK, 55B.
1-3	055451	1	DIPSTICK, 55D
2	047478	1	FLANGE, OIL SEAL CRANKSHAFT REAR
3	047396	1	SEAL, OIL
4	047358	6	CAPSCREW, M 6x20 JIS - FLANGE 8T
5	047542	2	NUT, M 6 JIS W / WASHER
6	055452	1	TUBE, DIPSTICK 55D
7	055446	1	TUBE, DIPSTICK 55D
8	047552	1	SUMP, OIL
9	047540	1	CAPSCREW, M 6 x13 W / WASHER
10	0 7357	1	CAPSCREW, M 6 X 14
11	024905	1	CAP, SUMP DRAIN HOSE
12	044025	1	CAPSCREW, M 10 X 1.25 X 55 JIS-FLANG
13	024922	1	BRACKET, SUMP DRAIN HOSE
14	047345	1	HOSE, SUMP DRAIN
15	040201	1	WASHER, M - 20
16	040201	1	WASHER, SUMP DRAIN BANJO
17	040199	1	BOLT, BANJO SUMP DRAIN M 20 X 1.5
18	037393	1	SEAL, LEAD WIRE

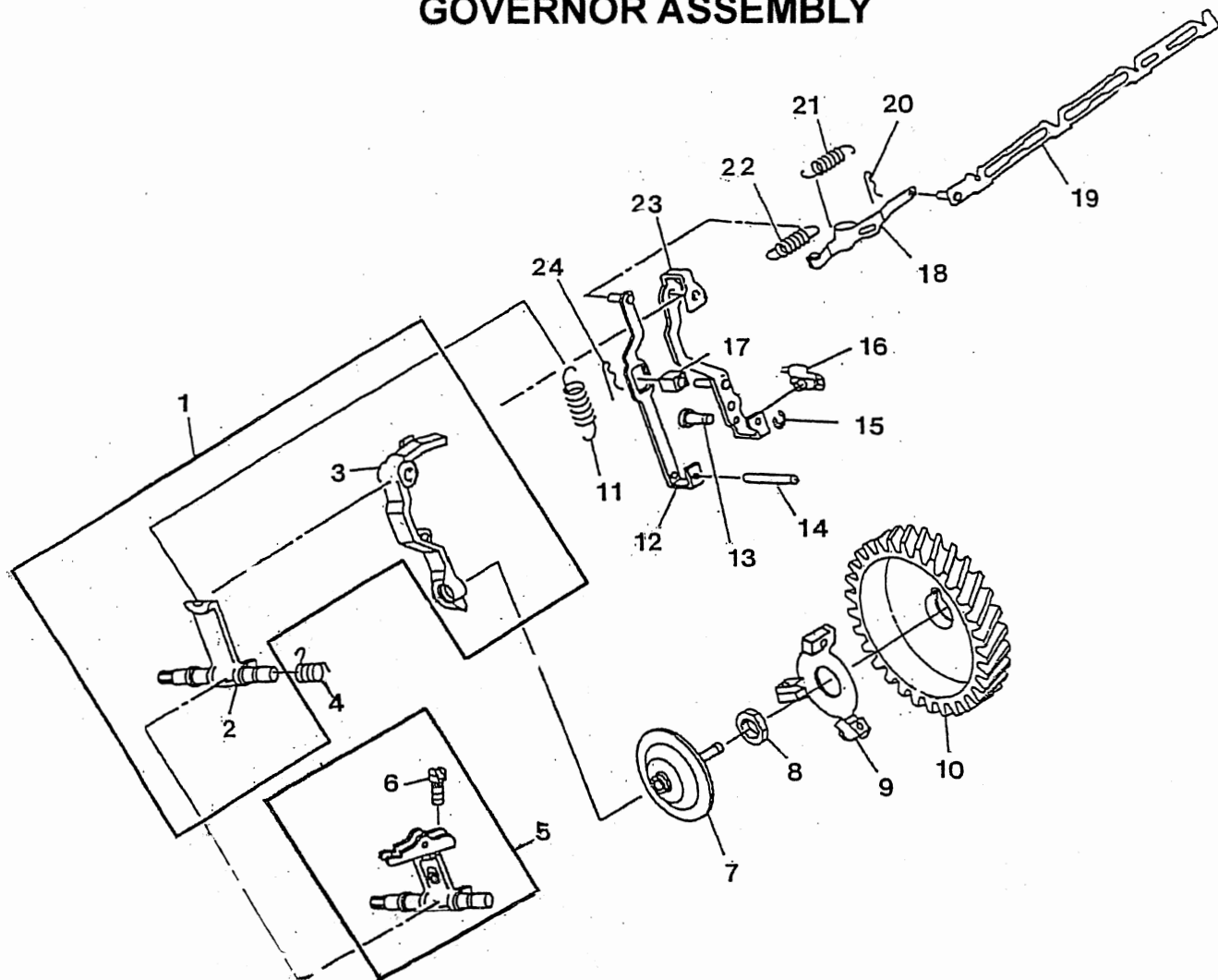
# GOVERNOR EXTERNAL COMPONENTS



# GOVERNOR EXTERNAL COMPONENTS

Item	Part No.	Quantity	Name/Description
1	047607	2	NUT, M 8 JIS
2	031786	2	LOCKWASHER, 8 DIN 127
3	047462	1	LEVER, FUEL SHUTOFF
4	047390	2	WASHER
5	047622	2	O-RING
6	047381	1	PLUG, 1/4 BSPT
7	047358	3	CAPSCREW, M 6 x 20 JIS-FLANGE 8T
8	047531	1	COVER, SECURITY
9	047539	1	CAPSCREW, SECURITY M 6 x 22
10	047405	1	CAP
11	047387	1	NUT, CAP
12	047389	2	GASKET
13	047605	4	NUT, M 6
14	04 7461	1	SCREW, IDLE SPRING ADJUST
15	047560	1	COVER, GOVERNOR
16	047475	1	SPRING, STOP LEVER
17	047934	1	SHAFT, STOP LEVER
18	047495	1	GASKET, GOVERNOR COVER
19	047609	1	WASHER, IDLE SPRING UPPER
20	047463	1	SPRING, IDLE
21	047608	1	WASHER, IDLE SPRING LOWER
22	047611	1	RING, RETAINING
23	047377	1	CAPSCREW, M 6 x 50 JIS 8T
24	047446	1	SCREW, HIGH SPEED SET
25	047603	1	SHAFT
26	047600	1	PIN, SPRING
27	047456	1	PLUG
28	047472	1	BUSHING
29	047476	1	SCREW, FULL LOAD SET
30	047394	1	PLUG, 1/8 BSPT
31	047451	1	BUSHING
32	047406	1	EYE, START SPRING
33	047492	1	LEVER, THROTTLE
34	047538	2	CAPSCREW, SECURITY M 6 x 16
35	047576	1	COVER, ANGELICH
36	047577	1	GASKET
37	047400	1	PLUG, EXPANSION 16MM
38	047933	1	STUD, M 8 x 50
39	047598	1	STUD, M 8 x 60
40	047578	1	CASE, TIMING
41	047455	1	CAP, OIL FILL INCL GASKET
42	047414	1	GASKET, OIL FILL CAP
43	047369	2	CAPSCREW, M 8 x 80 JIS - FLANGE 8T
44	033688	2	NUT, M 8 JIS-FLANGE
45	047491	1	SEAL, OIL
46	047373	6	CAPSCREW, M 8 X 60 JIS-FLANGE 9T 6

# GOVERNOR ASSEMBLY

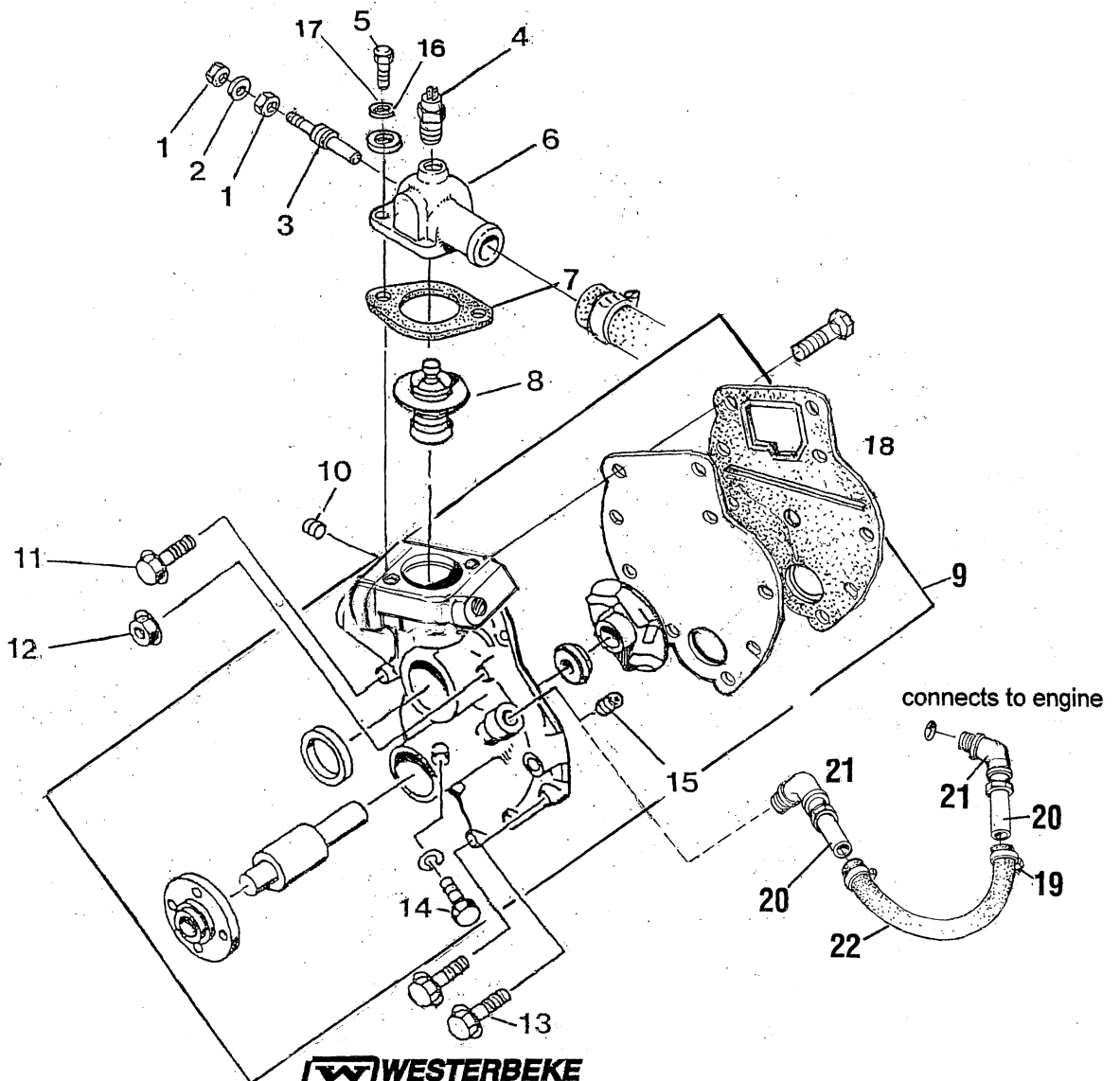


Item	Part No.	Quantity	Name/Description
1	047507	1	LEVER, KIT GOVERNOR
2	047470	1	LEVER, MAIN SPRING
3	04 7559	1	LEVER, GOVERNOR TENSION
4	047464	1	SPRING, GOVERNOR RETURN
5	047558	1	LEVER, MAIN SPRING
6	047511	1	ADJUSTER, GOVERNOR
7	047551	1	SLEEVE, GOVERNOR
8	047388	1	NUT, CAMSHAFT GEAR
9	047570	1	WEIGHT, GOVERNOR
10	047510	1	GEAR, CAMSHAFT
11	047555	1	SPRING, GOVERNOR MAIN
12	047553	1	LEVER, GOVERNOR FLOATING
13	047604	1	SHAFT, GOVERNOR SHIFTER
14	047602	1	PIN, SPRING
15	047612	1	RING, RETAINING
16	047469	1	SHIFTER
17	047519	1	LINK, GOVERNOR GUIDE LEVER
18	047554	1	PLATE, LINK LEVER TO PUMP
19	047556	1	LINK, GOVERNOR TO PUMP
20	047385	1	PIN, SNAP
21	047557	1	SPRING, START
22	047501	1	SPRING, GOVERNOR
23	047467	1	LEVER, GOVERNOR GUIDE
24	047385	1	PIN, SNAP

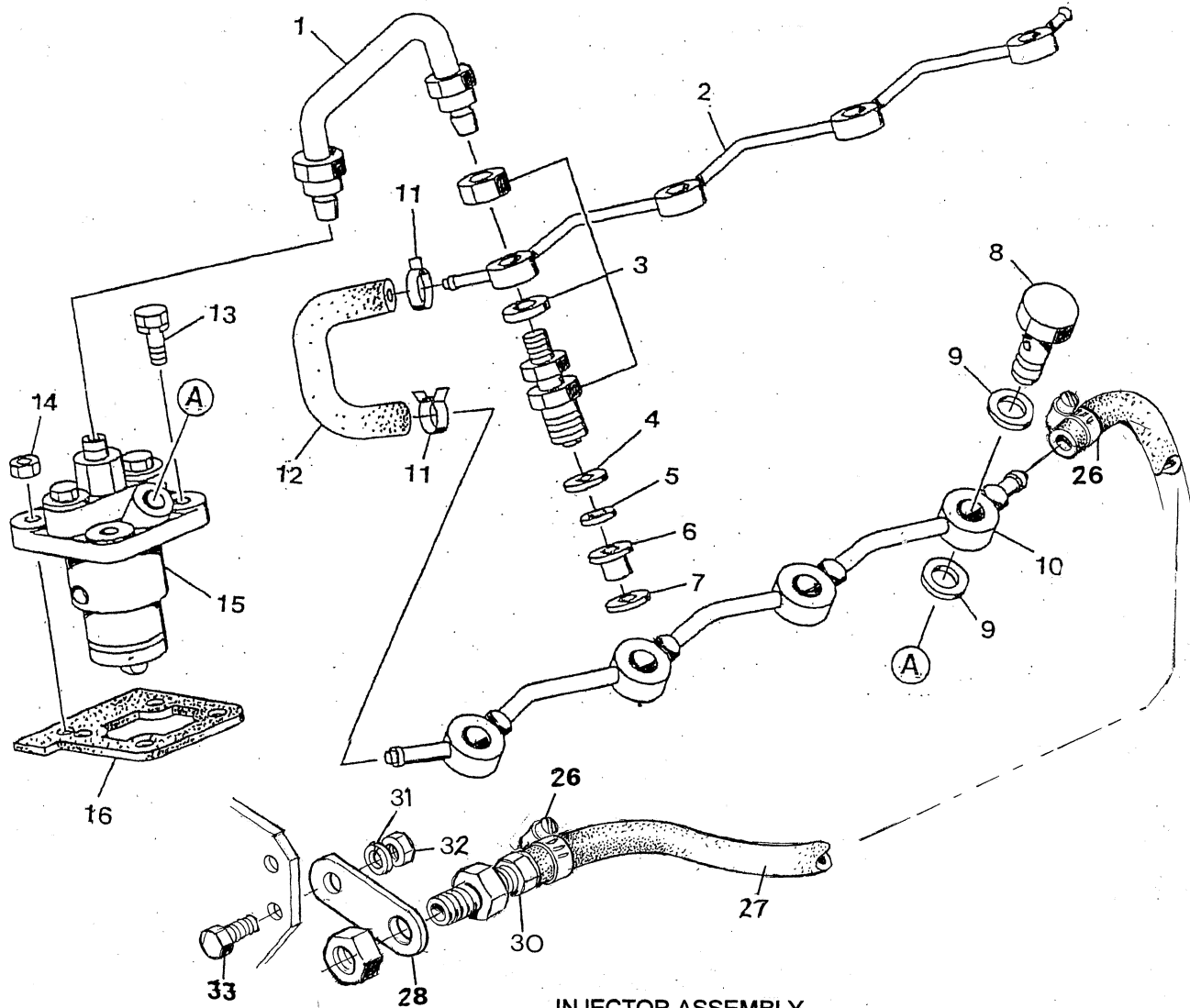


# WATER PUMP/THERMOSTAT

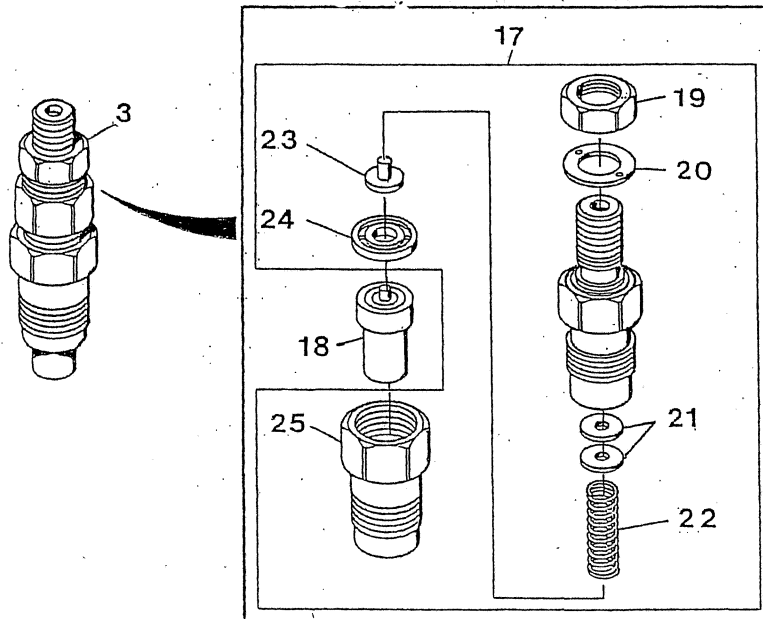
Item	Part No.	Quantity	Name/Description
1	031847	2	NUT, 10-23 HEX SS
2	031849	1	LOCKWASHER, 10 SS
3	035109	1	SENDER, WATER TEMPERATURE
4	039550	1	SWITCH, WATER TEMPERATURE
5	013619	2	CAP SCREW, M 8 x 30 x 1.50
6	046692	1	HOUSING, THERMOSTAT
7	047450	1	GASKET, THERMOSTAT
8	047571	1	THERMOSTAT
9-1	049950	1	PUMP, FRESH WATER WITH GASKET (55B/C)
9-2	055470	1	PUMP, FRESH WATER WITH GASKET (55D)
10	047394	2	PLUG, 1/8 BSPT SOCKET
11	047373	2	CAP SCREW, M8 x 60 JIS-FLANGE 9T
12	033668	2	NUT, M 8 JIS FLANGE
13	047366	2	CAP SCREW, M 8 x 40 JIS-FLANGE 8T
14	047367	1	CAP SCREW, M 8 x 45 JIS-FLANGE 8T
15	047393	1	PLUG, 3/8 BSPT SOCKET
16	031786	2	LOCKWASHER, M 8
17	031787	2	FLATWASHER, M 8
18	049952	1	GASKET, MOUNTING F/W PUMP (55B/C/D)
19	301083	2	CLAMP, HOSE #10
20	041561	2	CONNECTOR 3/8 BSPT - 5/8 HOSE
21	041560	2	ELBOW 3/8 BSPT - 90°
22	021516	8	HOSE (INCHES) 5/8 I.D.



# INJECTION PUMP / INJECTORS / FUEL RETURN



## INJECTOR ASSEMBLY

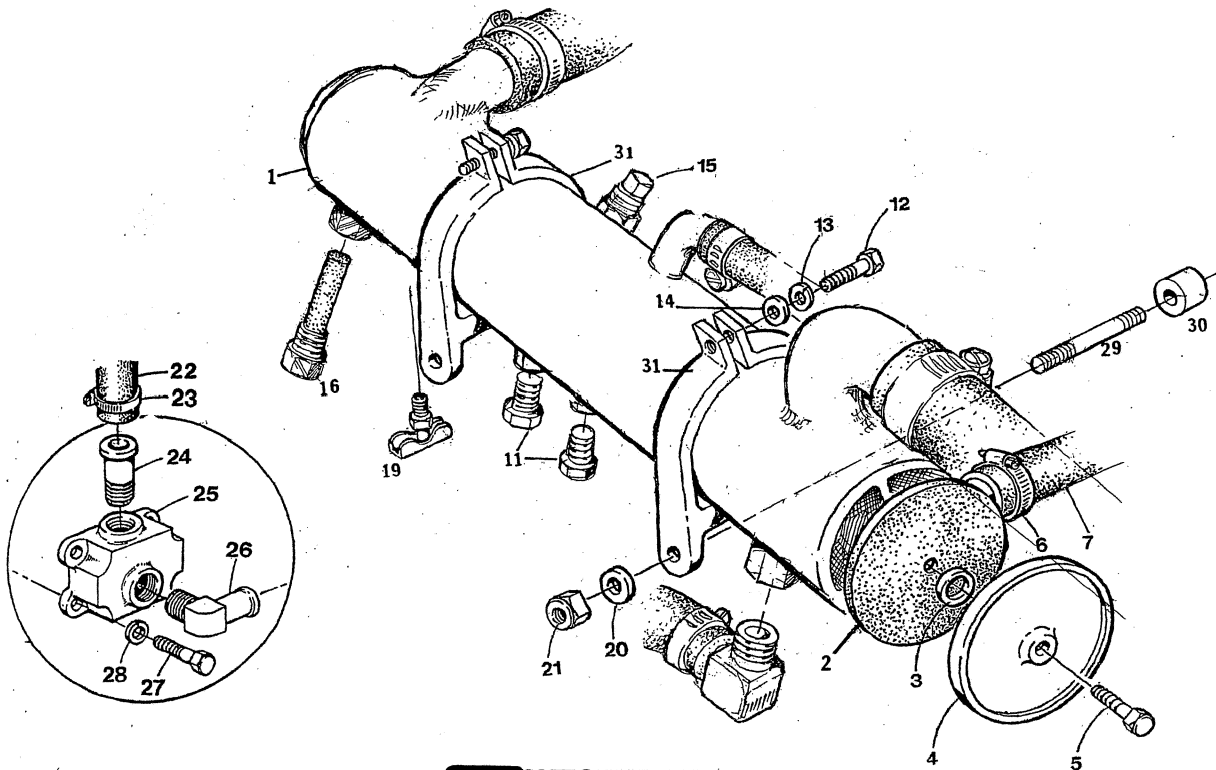


# INJECTION PUMP / INJECTORS / FUEL RETURN

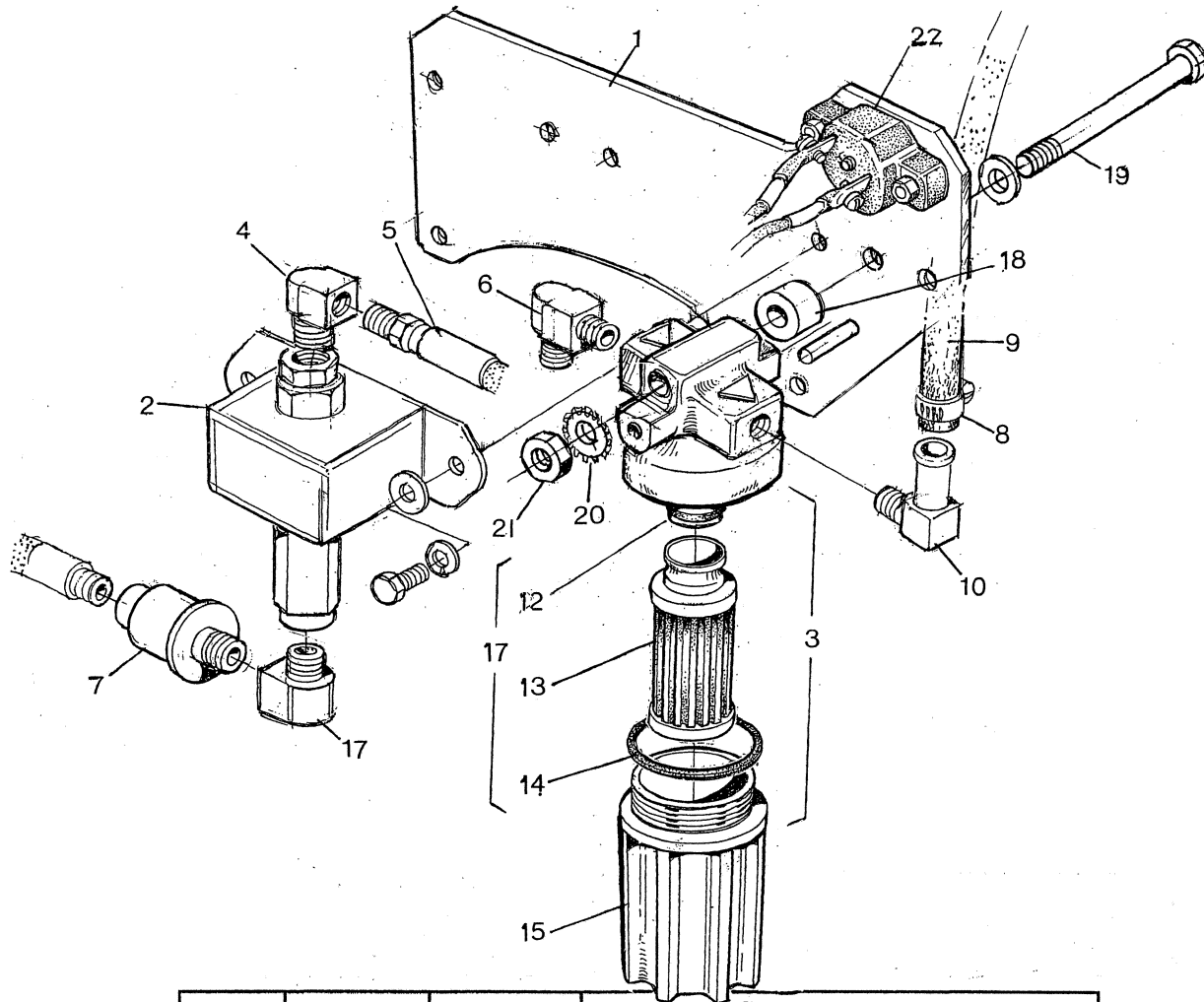
Item	Part No.	Quantity	Name/Description
1	047550	4	LINE, INJECTION PUMP TO INJECTOR
2-1	047534	1	LINE, INJECTOR LEAK-OFF 55B
2-2	055459	1	LINE, INJECTOR LEAK-OFF 55C/D
3-2	047499	4	INJECTOR, INTERIOR COMPLETE
4	047444	4	GASKET, INJECTOR
5	047410	4	WASHER, INJECTOR - CORRUGATED
6	047411	4	SHIELD, INJECTOR HEAT
7	047445	4	WASHER, IINJECTOR HEAT SHIELD
8	047935	4	BOLT, BANJO
9	047936	8	WASHER, BANJO
10	047548	1	LINE, INJECTION PUMP SUPPLY
11	047399	2	CLAMP, HOSE
12	047484	1	HOSE, LEAKOFF
13	047364	8	CAPSCREW, M 8 x 20 JIS-FLANGE 8T
14	033668	8	NUT, M 8 JIS-FLANGE
15	047547	4	PUMP, INJECTION
16-1	047580	<i>as required</i>	SHIM 0.2
16-2	047581	<i>as required</i>	SHIM 0.3
16-3	047582	<i>as required</i>	SHIM 0.4
16-4	047583	<i>as required</i>	SHIM 0.5
16-5	047584	<i>as required</i>	SHIM 0.6
16-6	047585	<i>as required</i>	SHIM 0.7
16-7	047586	<i>as required</i>	SHIM 0.8
16-8	047587	<i>as required</i>	SHIM 1.0
16-9	04_7588	<i>as required</i>	SHIM 1.2
17	047506	4	INJECTOR, HOLDER LESS NOZZLE
18-1	047417	4	NOZZLE, INJECTOR 55B
18-2	054344	4	NOZZLE, INJECTOR 55C
18-3	055456	4	NOZZLE, INJECTOR 55D
19	047425	4	NUT, INJECTOR LEAK-OFF
20	047409	4	GASKET, INJECTOR LEAK-OFF
21-1	047426	<i>as required</i>	SHIM 0.10
21-2	047427	<i>as required</i>	SHIM 0.20
21-3	047428	<i>as required</i>	SHIM 0.30
21-4	047429	<i>as required</i>	SHIM 0.40
21-5	047430	<i>as required</i>	SHIM 0.50
21-6	047431	<i>as required</i>	SHIM 0.52
21-	047432	<i>as required</i>	SHIM 0.54
21-8	047433	<i>as required</i>	SHIM 0.56
21-9	047434	<i>as required</i>	SHIM' 0.58
21-10	047435	<i>as required</i>	SHIM 0.80
22	047416	4	SPRING, INJECTOR
23	047535	4	PUSHROD, INJECTOR
24	047500	4	SPACER, INJECTOR
25	047502	4	NUT, INJECTOR NOZZLE
26	024906	2	CLAMP, HOSE
27	035435	23	HOSE, FUEL RETURN 5/16"
28	055615	1	BRACKET, FUEL RETURN
29	049545	1	ADAPTER, 1/8 NPT MALE
30	055617	1	NIPPLE, 5/16 HOSE
31	031758	1	LOCKWASHER, 5/16 SPLIT
32	031756	1	NUT, 5/12 - 18 NC
33	031553	1	CAPSCREW, 5/16 - NC X 3/4

# HEAT EXCHANGER/TRANSMISSION COOLER

Item	Part No.	Quantity	Name/Description
1	046786	1	EXCHANGER, HEAT
2	033300	2	GASKET, EXCHANGER END COVER
3	019321	2	O-RING, EXCHANGER END COVER
4	033299	2	COVER, EXCHANGER END
5	022852	2	CAPSCREW, 3/8 NC x 3/4 BRASS
6	011386	1	CLAMP, HOSE 12
7	047255	1	HOSE, SEAWATER PUMP TO EXCHANGER
8	038193	3	CLAMP, HOSE 28
9	043994	1	HOSE, MANIFOLD TO EXCHANGER
10	047739	1	HOSE, EXCHANGER TO FRESH WATER PUMP
11	013341	1	PLUG, 1/4NPT HEX HEAD BRASS
12	031506	2	CAPSCREW, 1/4 NC x 1-1/4
13	031752	2	LOCKWASHER, 1/4
14	031753	2	WASHER, 1/4 FLAT
15	035747	1	PLUG, 1/4 NPT BRASS SQUARE HEAD
16	011895	1	ZINC,
17	036622	1	NIPPLE, 3/4NPT TO 1" HOSE
18	019369	1	PLUG, 1/8 NPT HEX HEAD BRASS
19	011471	1	PETCOCK, 1/8 NPT
20	031786	2	LOCKWASHER, M 8 DIN 127
21	018242	2	NUT, M 8 DIN 934
22	011779	as required	HOSE, 1" ID WIRE INSERTED
23	011405	2	CLAMP, HOSE 16
24	036622	1	NIPPLE, 3/4 NPT TO 1" HOSE
25	040036	1	COOLER, HBW
26	036614	1	ELBOW, 3/4 NPT TO 1" HOSE
27	017196	4	CAPSCREW, M 8 x 20 DIN 933
28	031796	4	LOCKWASHER, M 8 DIN 127
29	031281	2	STUD, M 8 x 40MM
30	021885	2	SPACER, EXCHANGER, CLAMP TO FRESH WATER HOUSING
31	046947	2	CLAMP, EXCHANGER SUPPORT

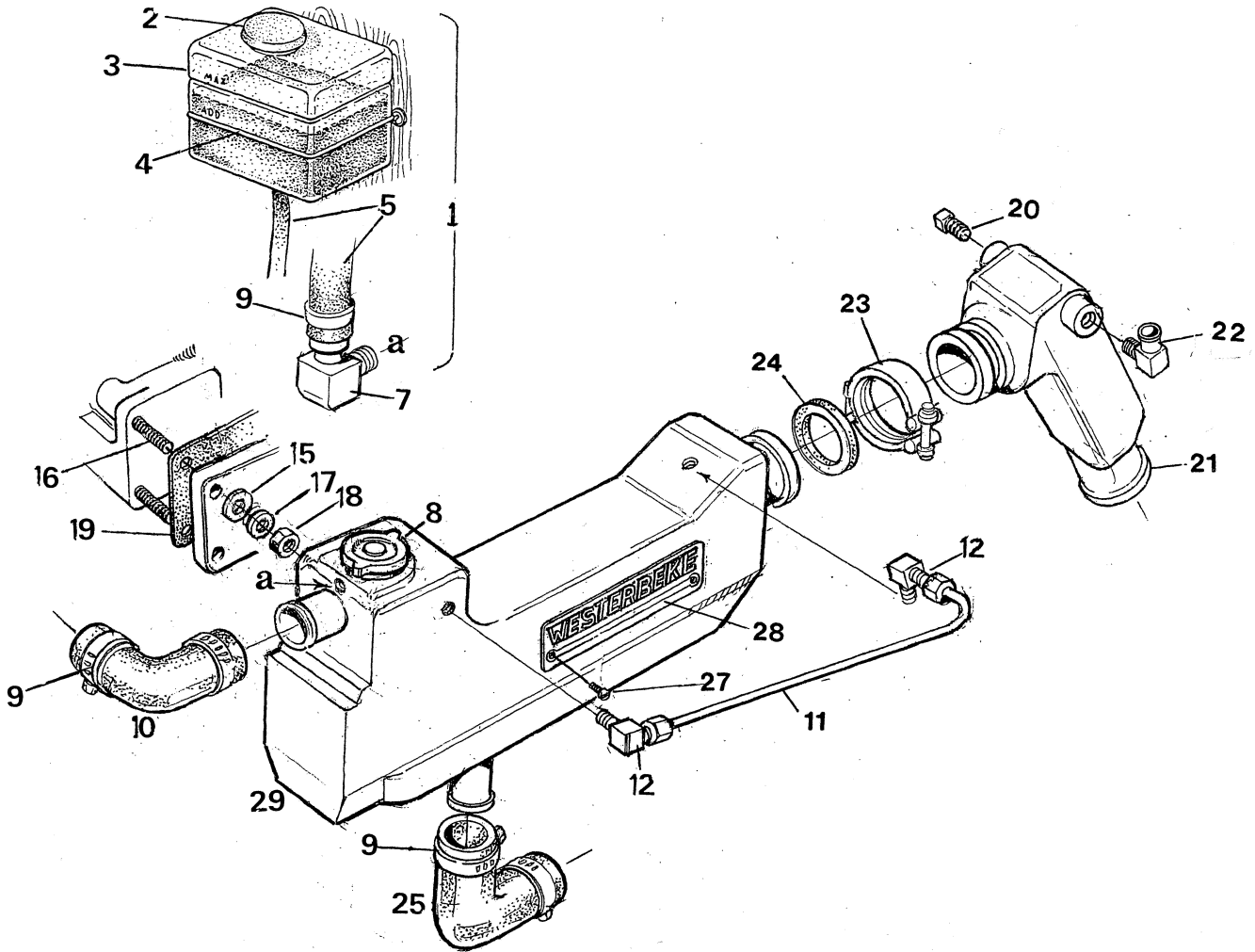


# FUEL PUMP / FUEL FILTER

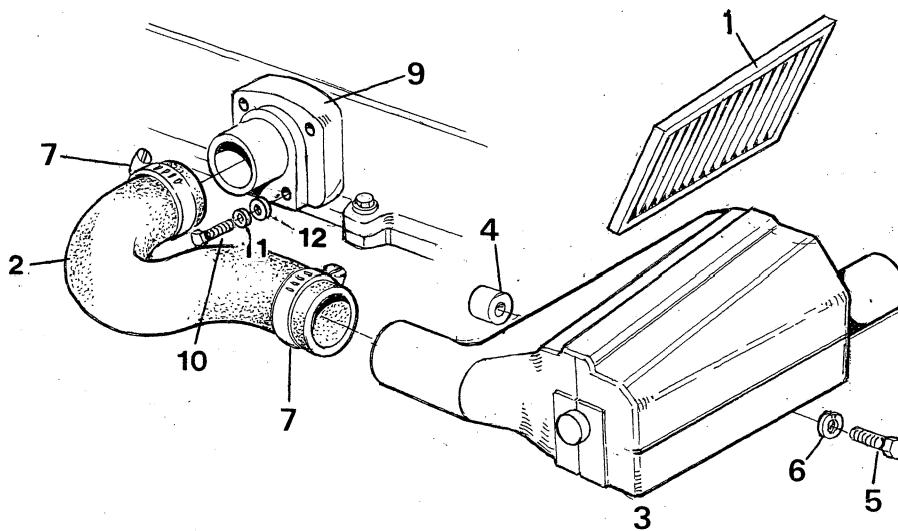


Item	Part No.	Quantity	Name/Description
1	047737	1	BRACKET, FILTER/LIFT PUMP
2	039275	1	PUMP, LIFT 12VDC DIESEL
3	046800	1	FILTER, FUEL - ASSEMBLY
4	013340	1	ELBOW, 1/8 NPT 90° STREET BRASS
5	047342	1	HOSE, LIFT PUMP TO FILTER
6	013329	1	ELBOW, MALE 1/8 NPT x 1/4 COMP
7	048076	1	FILTER, INLET 80 MICRON
8	024906	2	CLAMP, HOSE #04
9	035435	23	FUEL 5/16 INCHES
10	024907	1	ELBOW, 1/2 NPT x 5/16 HOSE
11	047060	1	HOUSING, FUEL FILTER
12	030201	1	O-RING, FUEL FILTER
13	052851	1	ELEMENT, FUEL FILTER
14	030705	1	O-RING, FUEL FILTER
15	047060	1	HOUSING, FUEL FILTER
16	047006	1	ELEMENT, FUEL FILTER - ITEMS 12, 13 & 14
17	011984	1	ELBOW, 1/8 NPT 90° STEEL
18	021722	1	SPACER
19	031225	1	CAPSCREW, M8 x 60MM
20	031835	1	STAR WASHER, M8
21	018242	1	NUT, M8
22	024683	1	20A BREAKER

# EXHAUST MANIFOLD



# AIR INTAKE / FILTER



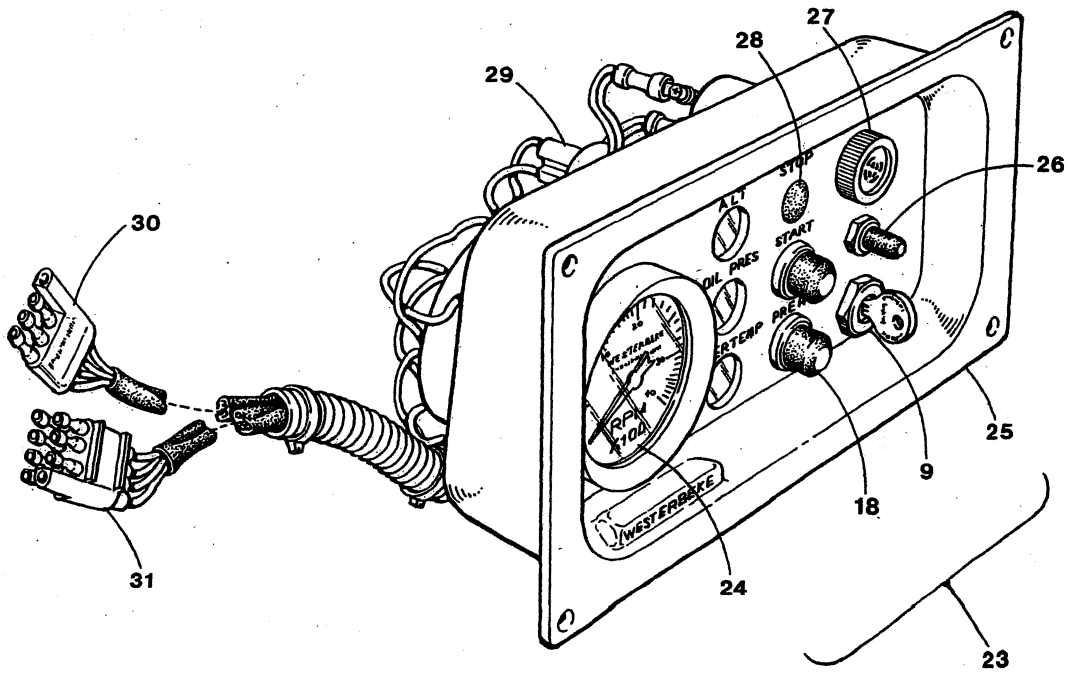
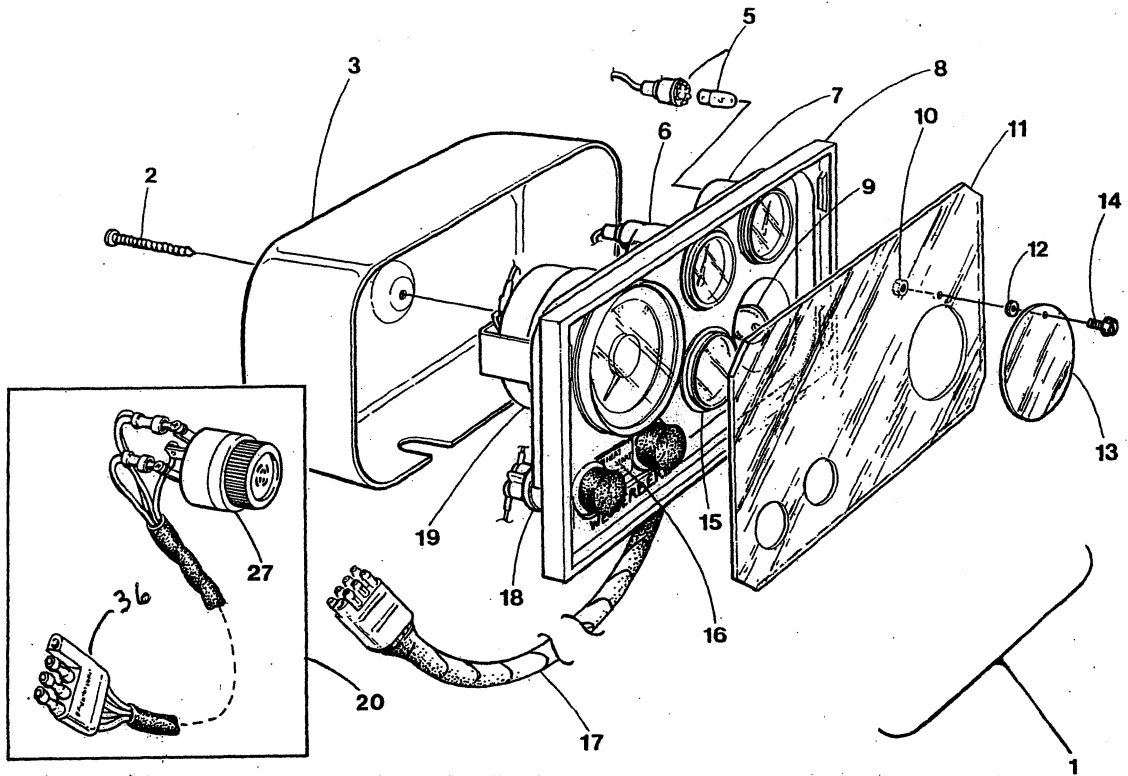
## EXHAUST MANIFOLD

Item	Part No.	Quantity	Name/Description
1	024977	1	KIT, COOLANT RECOVERY TANK INLC REF 2 THRU 6
2	024858	1	CAP, COOLANT RECOVERY TANK
3	024704	1	TANK, COOLANT RECOVERY
4	024786	1	STRAP, COOLANT RECOVERYTANK MOUNTING
5	024637	60	TUBING, MANIFOLD TO TANK ( <i>INCHES REQUIRED</i> )
6	024906	2	CLAMP, HOSE
7	024907	1	ELBOW, MANIFOLD TO RECOVERY TANK HOSE
8-1	024306	1	CAP, PRESSURE
8-2	011751	1	NECK, FILLER ( <i>MUST BE DRILLED WHEN INSTALLED</i> )
9	039193	4	CLAMP, HOSE 28
10	046792	1	HOSE, THERMOSTAT TO MANIFOLD
11	042217	1	TUBE, MANIFOLD AIR BLEED
12	013329	2	ELBOW, MALE 1/8 NPT 1/4 COMPRESSION
15	031786	8	WASHER, M8
16	015831	8	STUD, M 8 X 32 DIN 939
17	031786	8	LOCKWASHER, M 8 DIN 127
18	018242	8	NUT, M 8 DIN 934
19	047533	1	GASKET, EXHAUST MANIFOLD TO HEAD
20	035747	1	PLUG, 1/2 NPT BRASS SQUARE HEAD
21-1	044876	1	ELBOW KIT, 45° WATER INJECTED EXHAUST INCL REF 20-24
21-2	039334	1	ELBOW KIT, 70° WATER INJECTED EXHAUST INCL REF 20-24
22	036616	1	ELBOW, 1/2 NPT TO 1" HOSE
23	038153	1	CLAMP, EXHAUST ELBOW TO MANIFOLD
24	038221	1	GASKET, EXHAUST ELBOW TO MANIF'OLD
25	043994	1	HOSE, MANIFOLD TO EXCHANGER
27	031935	2	SCREW, 8-32 X 1/4 SS OVAL HEAD
28	035411	1	NAMEPLATE
29	046680	1	MANIFOLD, INTAKE-EXHAUST

## AIR INTAKE / FILTER

Item	Part No.	Quantity	Name/Description
1	039705	1	FILTER, AIR
2	047056	1	HOSE, AIR INTAKE
3	047272	1	HOUSING, AIR FILTER
4	047341	2	SPACER, FILTER HOUSING
5	298460	2	CAPSCREW, M8 X 25MM
6	031786	2	LOCKWASHER, M8
7	011411	2	CLAMP, AIR INTAKE HOSE
8	031786	2	WASHER, 8MM
9	049978	1	ADAPTER, AIR INTAKE
10	018804	2	CAPSCREW, M6 X 30
11	031783	2	LOCKWASHER, M6
12	031784	2	FLAT WASHER, M6

# INSTRUMENT PANELS





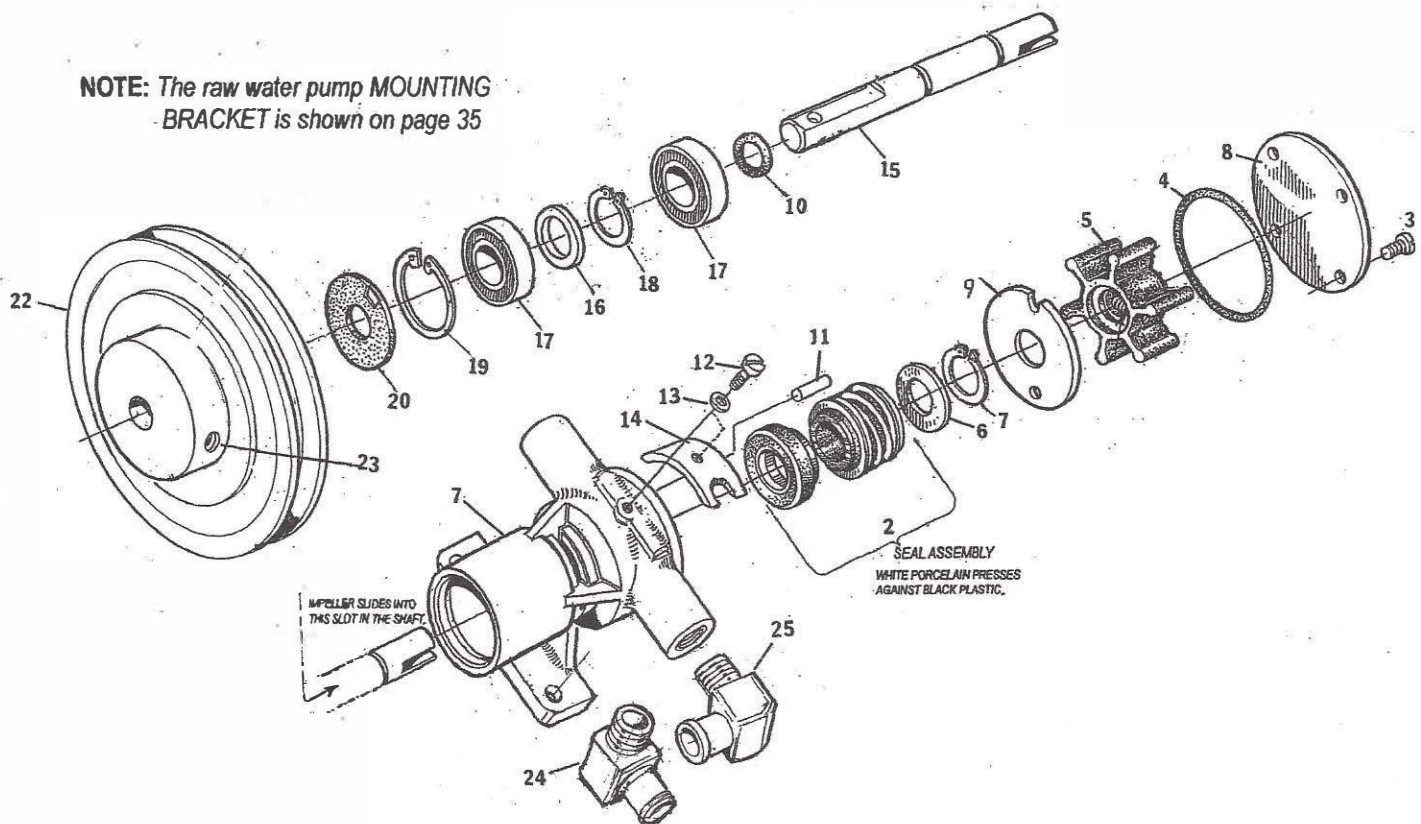
# INSTRUMENT PANELS

Item	Part No.	Quantity	Name/Description
1	036842	1	PANEL, ADMIRAL INCLUDING ALARM
2	030913	1	SCREW
3	030119	1	COVER, PANEL REAR
5	042893	3	LAMP, INCLUDING HOLDER 12VDC
6	037601	3	METER, WATER TEMPERATURE
7	037603	1	METER, OIL PRESSURE 100 PSI
8	033865	1	PANEL, PLATE
9	033693	1	KEYSWITCH, OFF- ON
10	030003	1	NUT, NYLON LOCKING 6-32
11	033684	1	COVER, FACEPLATE
12	030002	1	SPACER, NYLON
13	024996	1	WINDOW, KEYSWITCH COVER
14	030001	1	SCREW, NYLON 6-32 X 1/2 WASHER HEAD
15	037605	1	VOLTMETER, 12VDC
16	033682	1	DECAL, SWITCH IDENTIFICATION
17	030148	1	CABLE, PANEL TO ENGINE 8 PIN
18-1	033764	2	SWITCH, PUSHBUTTON START/PREHEAT
18-2	019031	2	CAP, SWITCH COVER REPLACEMENT
19	011917	1	METER, TACHOMETER-HOUR
20	036829	1	ALARM, ASSEMBLY
21	035825	3	WIRE, LAMP POWER CONNECTION
22	039144	1	DIAGRAM, WIRING ENGINE
23	036473	1	PANEL, CAPTAIN
24	036590	1	METER, TACHOMETER
25	036043	1	PANEL, PLATE
26-1	036479	1	SWITCH, TEST
26-2	036490	1	CAP, SWITCH
27	013355	1	BUZZER, ALARM
28	030946	1	PLUG, NYLON
29-1	024947	3	LAMP, 12VDC
29-2	036483	3	HOLDER, LAMP
30	036626	1	HARNESS, PANEL TO ENGINE 4 PIN
31	036627	1	HARNESS, PANEL TO ENGINE 8 PIN
32	036477	1	ASSEMBLY, TERMINAL-DIODE
33	036544	2	SPACER, TERMINAL-DIODE ASSEMBLY
34	036545	2	SCREW, 6-32 X 3/4 TAPPING SS
35	036630	1	DRAWING, TEMPLATE TO INSTALL EITHER PANEL
36	037615	1	HARNESS, ENGINE TO ALARM

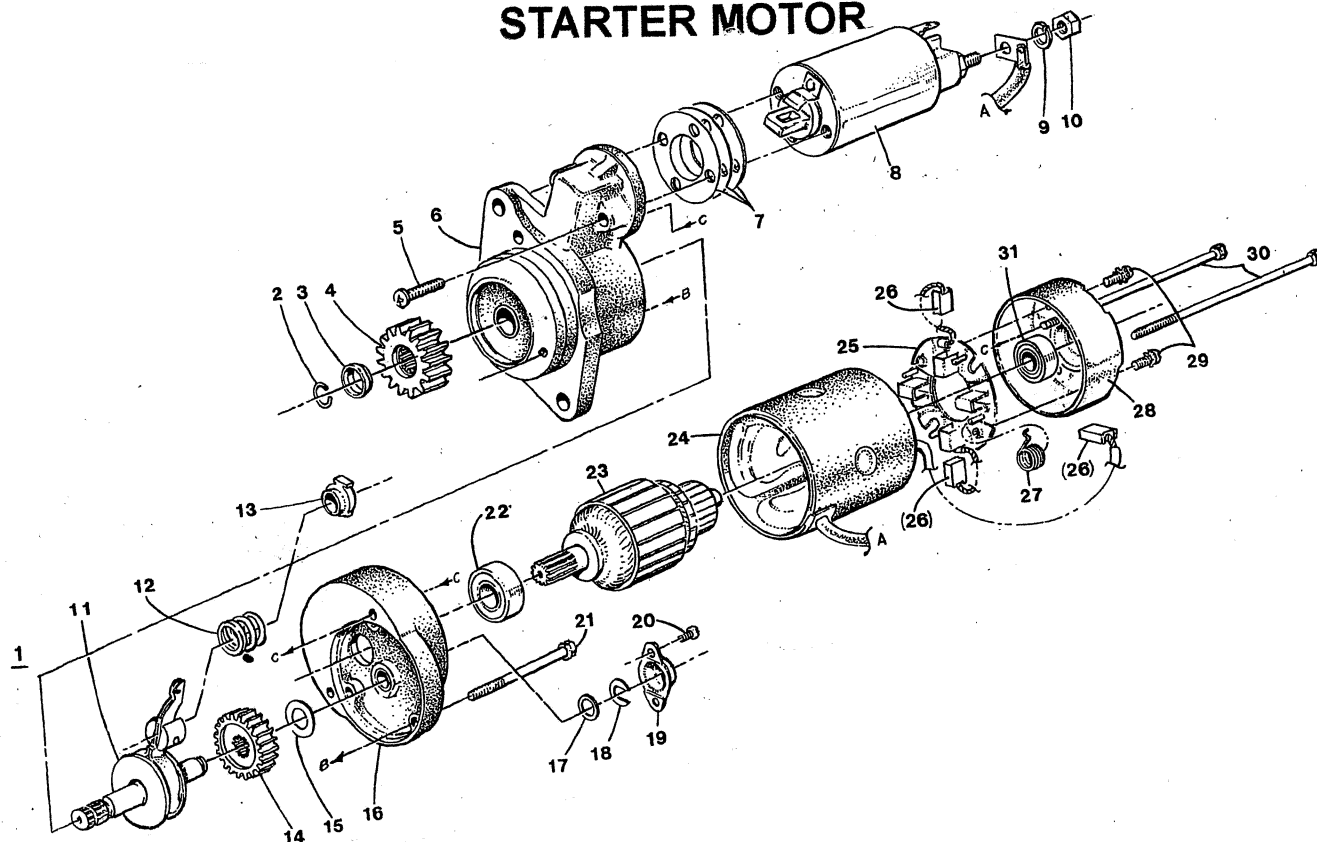
# RAW WATER PUMP 055624

Item	Part No.	Quantity	Name/Description
1	055624	1	PUMP, SEA WATER (COMP, BODY NOT AVAILABLE)
2	048254	1	SEAL, SPRING PUMP (TWO PART SEAL.)
3	034463	4	SCREW, IMPELLER COVER
4	046624	1	O-RING, PUMP COVER
5	046622	1	IMPELLER KIT, (INCLUDING ITMES 3, 4 &5)
6	048253	1	WASHER, SPRING SEAL
7	048255	1	RING, RETAINING EXT (BRONZE)
8	046625	1	COVER, IMPELLER
9	046661	1	PLATE, WEAR PUMP
10	033041	1	O-RING, PUMP
11	302575	1	DOWEL
12	046662	1	SCREW, CAM
13	033037	1	WASHER, CAM
14	033031	1	CAM, PUMP
15	046629	1	SHAFT, WATER
16	046630	1	SPACER, BEARING
17	033042	2	BEARING, PUMP
18	033045	1	RING, RETAINING EXT (STEEL)
19	033044	1	RING, RETAINING INT (STEEL)
20	033033	1	COVER, BEARING OUTER
21	055718	1	KIT, REPAIR (INC. ITEMS 2, 6, 8, 9, 10, 11, 12, 13, 14, 15, 16, 17, 18, 19 & 20)
22	047661	1	PULLEY
23	011357	1	SET SCREW
24	036612	1	ELBOW, 3/8 NPT - 1 HOSE
25	034710	1	ELBOW, 3/8 NPT - 7/8 HOSE

**NOTE:** The raw water pump MOUNTING BRACKET is shown on page 35

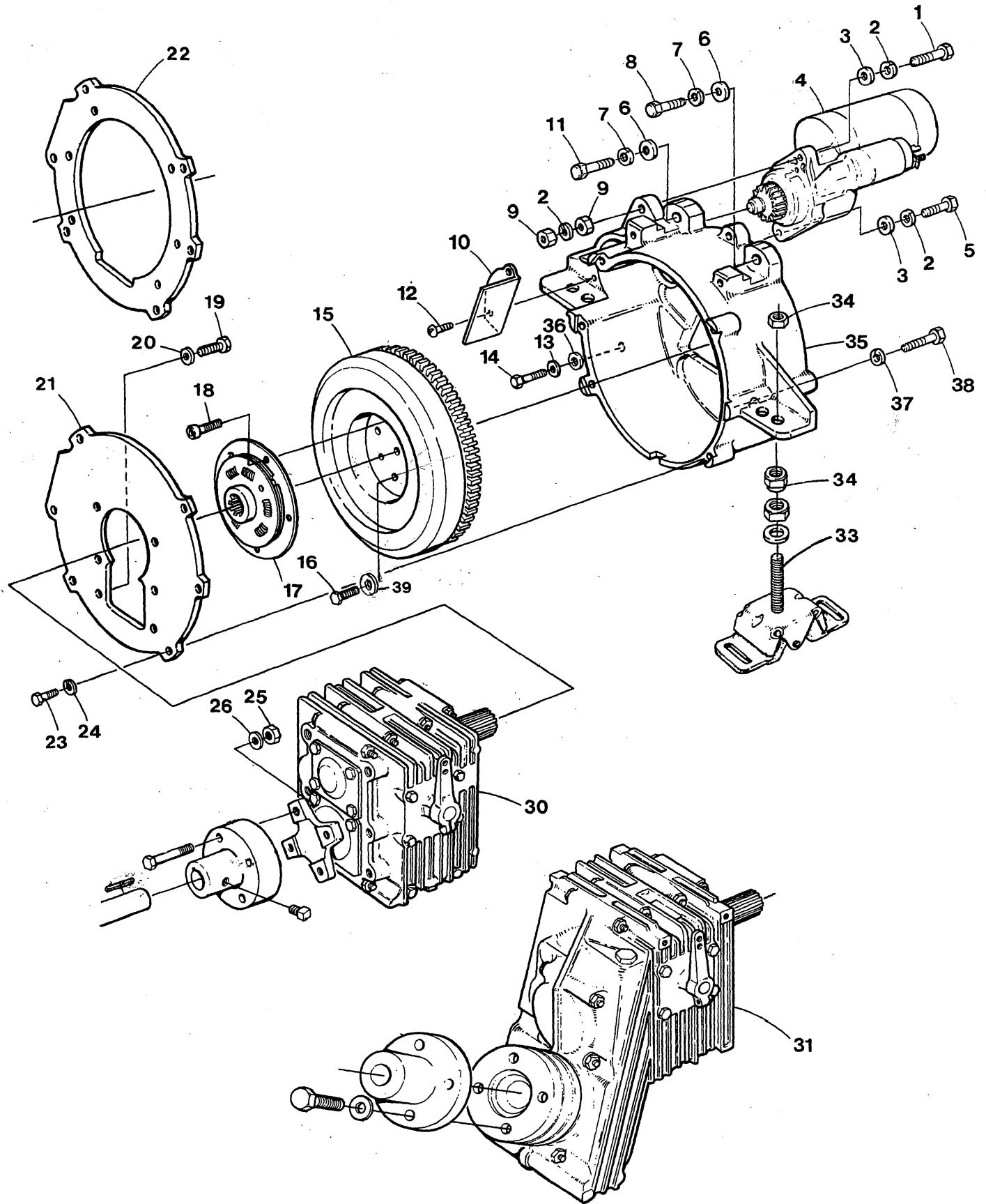


# STARTER MOTOR



Item	Part No.	Quantity	Name/Description
1	030593	1	MOTOR, STARTER 12VDC
2	—	1	RING, RETAINING SEE REF 3
3	030261	1	RETAINER, INCLUDING REF 2
4	030700	1	PINION, INCLUD-ING REF 2 AND 3
5	030263	1	SCREW SET, INCLUDING REF 29
6	—	1	BRACKET, FRONT
7	—	as required	SHIMS, SOLENOID SEE REF 8
8	030245	1	SOLENOID, INCLUDING REF 7
9	031786	2	LOCKWASHER, M 8 DIN 127
10	018242	2	NUT, M 8 DIN 934
11	030265	1	SHAFT, ASSEMBLY
12	—	1	SPRING
13	—	1	RETAINER
14	030695	1	GEAR
15	—	1	WASHER, SEE REF 19
16	—	1	BRACKET, CENTER
17	—	1	WASHER, SEE REF 19
18	—	1	CLIP, SEE REF 19
19	030696	1	COVER, INCLUDING REF 15, 17, 18, 20
20	—	1	SCREW, SEE REF 19
21	030692	1	CAPSCREW , M 5 X 73
22	031305	1	BEARING, ARMATURE
23	—	1	ARMATURE, INCLUDING BEARINGS
24	—	1	HOUSING YOKE ASSEMBLY
25	030262	1	HOLDER, BRUSH ASSEMBLY INCL REF 26 AND 27
26	—	4	BRUSH, SEE REF 25
27	030246	1	SPRING, BRUSH
28	030697	1	HOUSING, REAR
29	—	2	SCREW, SEE REF 5
30	—	2	CAPSCREW
31	031306	1	BEARING, ARMATURE

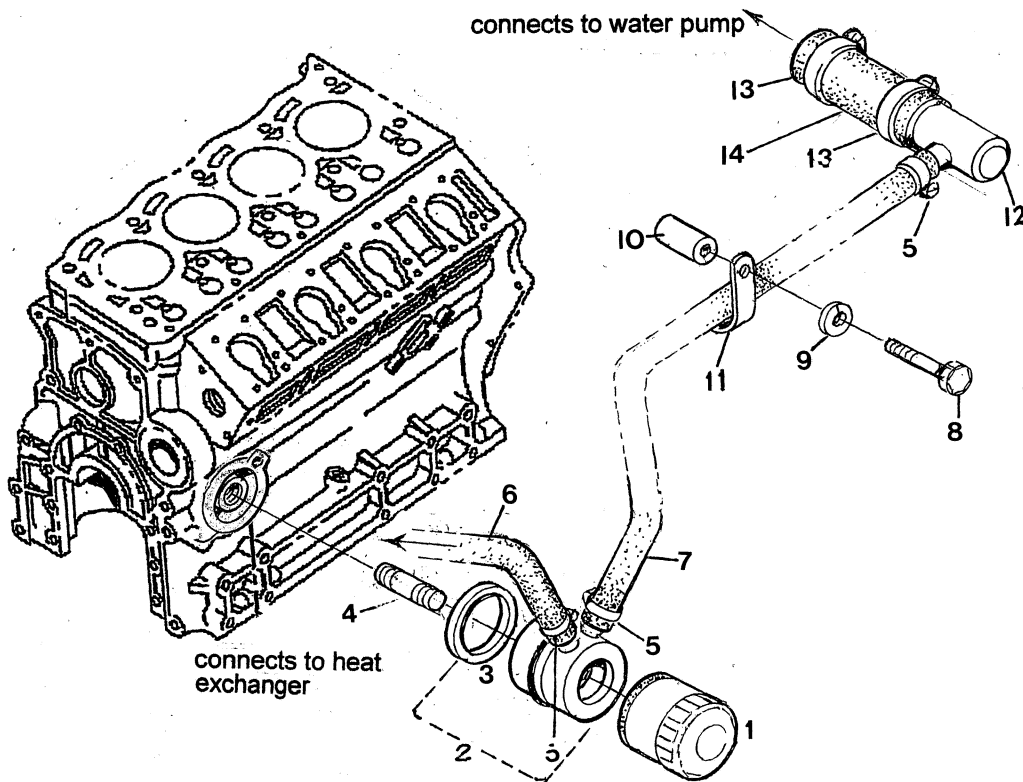
# BACK END ZF / HBW TRANSMISSIONS - REAR MOUNTS



# BACK END ZF / HBW TRANSMISSIONS - REAR MOUNTS

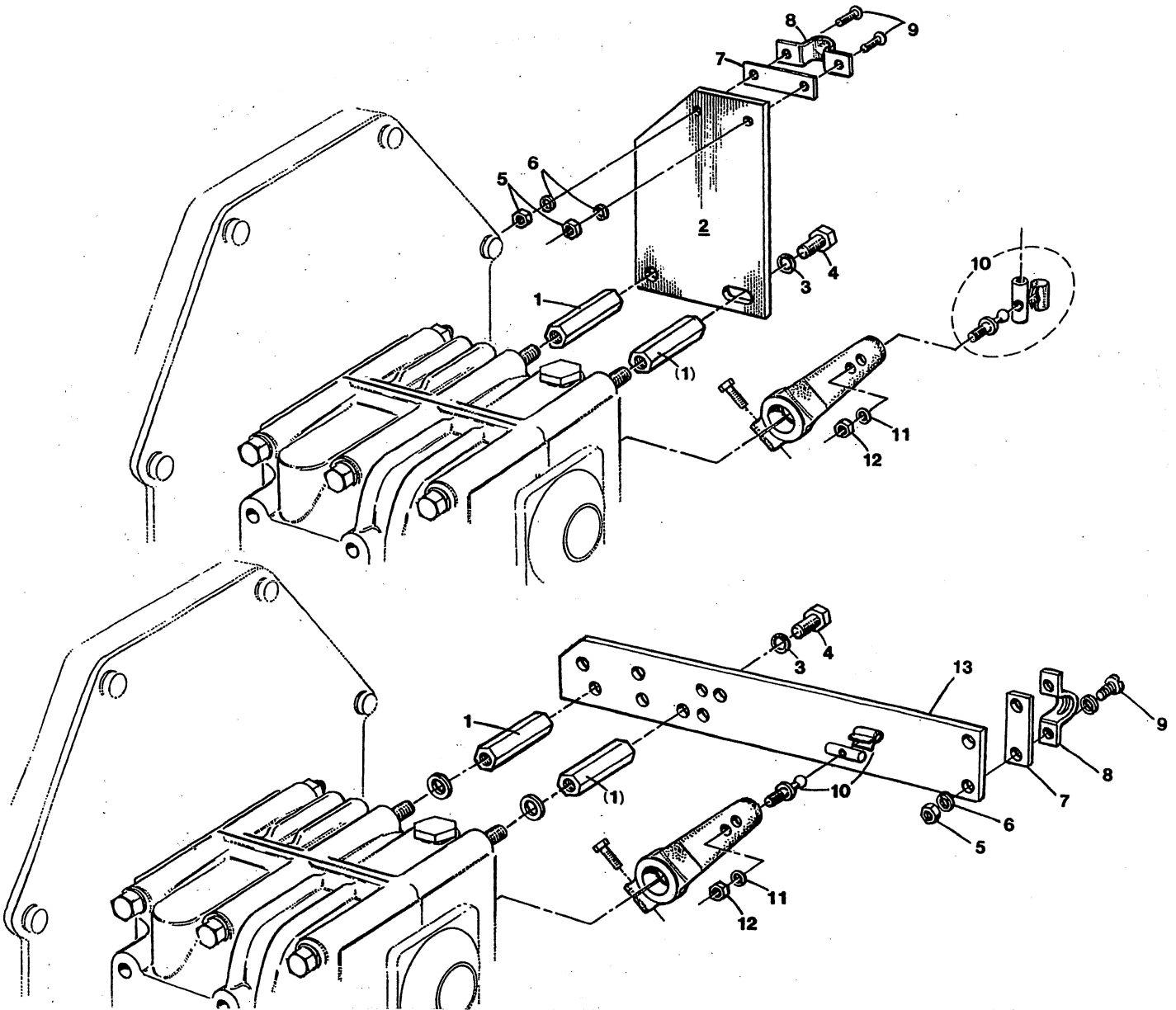
Item	Part No.	Quantity	Name/Description
1	034833	1	CAPSCREW, M 10 X 60 DIN 912 BATTERY GND & STARTER
2	019262	3	LOCKWASHER, M 10 DIN 127
3	031789	2	WASHER, M 10 DIN 125
4	030593	1	MOTOR, STARTER 12 VDC
5	034589	1	CAPSCREW, M10 X 30 DIN 933
6	031798	2	WASHER, M 14 DIN 125
7	031797	2	LOCK WASHER, M 14 DIN 127
8	041332	1	CAPSCREW, M 14 X 1.5 x 55 DIN 960
9	015887	2	NUT, M 10 DIN 934
10	039830	1	COVER, STARTER ACCESS
11	040603	1	CAP SCREW, M 14 X 1.5 x 45 DIN 961
12	039578	2	SCREW, M 5 x12 HEX WASHER HEAD
13	031797	1	LOCKWASHER, M 14 DIN 127
14	041332	1	CAPSCREW, M 14 x 1.5 X 55 DIN 960
15-1	039798	1	FLYWHEEL, INCLUDING RING GEAR
15-2	030230	1	GEAR, RING
16	047420	6	BOLT, FLYWHEEL
17-1	019398	1	DAMPER, HBW125 - 150 - ZF12M - ZF15M
17-2	011618	1	DAMPER, HBW250 - WARNER HYDRAULIC - ZF25M
18	024778	5	SCREW, DAMPER TO FLYWHEEL
19-1	020650	6	CAPSCREW, M 8 X 18 DIN 933 HBW125-150
19-2	018813	6	CAPSCREW, M 10 x DIN 933 HBW250 & V-DRIVE
20-1	031786	6	LOCKWASHER, M 8 DIN 127
20-2	019262	6	LOCKWASHER, M10 DIN 127 HBW250 & V-DRIVE
21-1	039762	1	ADAPTER, TRANSMISSION TO HOUSING HBW125 - 150 & BW7
21-2	040008	1	ADAPTER, TRANSMISSION TO HOUSING HBW V-DRIVE
21-3	039763	1	ADAPTER, TRANSMISSION TO HOUSING HBW250
22	040407	1	ADAPTER, TRANSMISSION TO HOUSING WARNER HYDRAULIC
23	013629	6	CAPSCREW, M 10 x 25 DIN 934
24	019262	6	LOCKWASHER, M 10 DIN 127
25	024950	4	NUT, M 10 x 1.25 DIN 934
30-1	024631	1	GEAR, HBW-150 1.9:1
30-2	032566	1	GEAR, HBW250 2.7:1
30-3	030049	1	GEAR, HBW125 2.6:1
30-4	032565	1	GEAR, ZF25M 1.9:1
30-5	047309	1	GEAR, ZF45C 1:1
30-6	047702	1	GEAR, ZF25A 1.93:1
31-1	031249	1	GEAR, HBW V-DRIVE 1.8:1
31-2	030048	1	GEAR, HBW V- DRIVE 2.1:1
33	040511	2	ISOLATOR, INCLUDING LOCKNUTS
34	040966	4	NUT, M 16 JAM SELF-LOCKING
35	043097	1	HOUSING, FLYWHEEL
36	031798	1	WASHER M 14 DIN 125
37	031797	1	LOCKWASHER, M 14 DIN 127
38	298464	1	CAPSCREW, M 14 X 1.5 X 35 DIN 961
39	047465	6	WASHER, FLYWHEEL BOLT

# OIL COOLER ASSEMBLY



Item	Part No.	Quantity	Name/Description
1	036918	1	FILTER, OIL
2	047974	1	COOLER, OIL (INCLUDES ITEM 3)
3	044052	1	O-RING, OIL COOLER
4	055454	1	NIPPLE, FILTER.COOLER
5	040384	4	CLAMP, HOSE, MINI
6	047975	1	HOSE, COOLER TO EXCHANGER
7	047976	1	HOSE, COOLER TO FRESH WATER PUMP
8	031811	1	CAPSCREW, M 8 x 55 x 1.25
9	031787	1	WASHER, M 8 FLAT
10	042302	1	SPACER, SUPPORT CLAMP
11	056534	1	CLAMP, SUPPORT
12	054923	1	TEE, OIL COOLER/FRESH WATER PUMP
13	021878	2	CLAMP, HOSE #20
14	024635	2-1/4	HOSE, MARINE 1/38"

# HBW TRANSMISSION SHIFTING BRACKET



Item	Part No.	Quantity	Name/Description
1	030756	2	NUT, M 8 PILLAR HBW 125 - 150
2	030181	1	BRACKET , SHIFT CABLE TOP ENTRY
3	031786	2	LOCKWASHER, M 8 DIN 127
4	013630	2	CAPSCREW, M 8 X 25 DIN 933
5	031847	2	NUT, 10-32 SS
6	031849	2	LOCKWASHER, 10 SS
7	013870	1	SHIM, CABLE CLAMP
8	013325	1	CLAM, CABLE
9	031873	2	SCREW, 10 - 32 X 5/8 SS BH
10	033482	1	BALL JOINT, SHIFT CABLE
11	031752	1	LOCKWASHER, 1/4
12	031754	1	NUT, 1/4 NF
13	032161	1	BRACKET, SHIFT CABLE REAR ENTRY

# ELECTRICAL SYSTEM

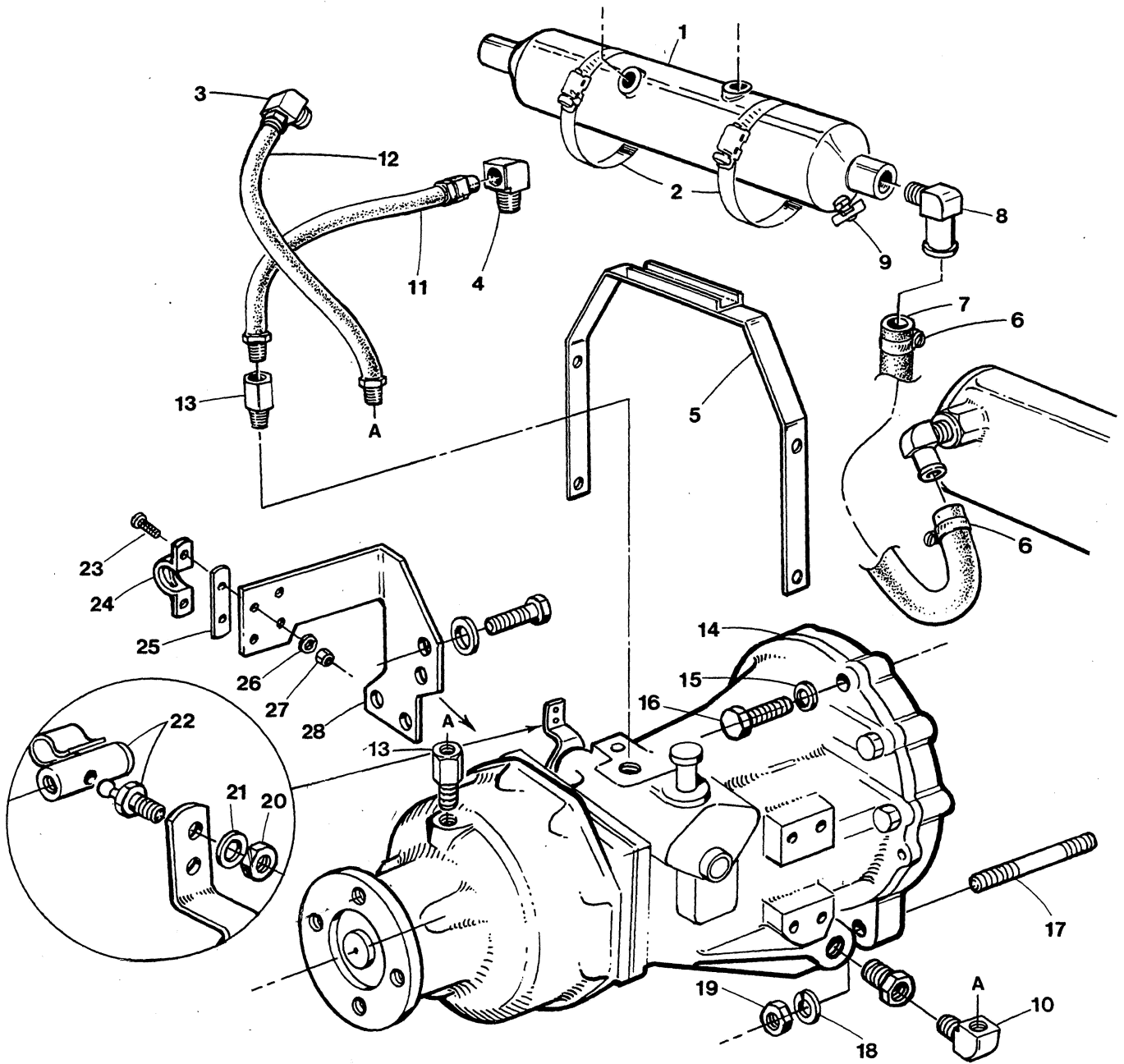




# ELECTRICAL SYSTEM

Item	Part No.	Quantity	Name/Description
1	043480	2	SCREW, 8-32 x 7/8 HEX WASHER HEAD SS
2	047737	1	BRACKET, LIFT PUMP-SOLENOID-CIRCUIT BREAKER
3	031861	2	SCREW, 8-32 x 1/4 SS BH
4	031844	2	LOCKWASHER, 8 SS
5	024683	1	BREAKER, CIRCUIT 20 AMP
6-1	031783	2	LOCKWASHER, M 6 DIN 127
6-2	031784	2	WASHER, M 6 DIN 125
7	031810	2	CAPSCREW, M 6 x 14 DIN 933
8	031760	2	NUT, 5/16 NF
9	036563	1	BREAKER, CIRCUIT 10 AMP
10	031849	<i>as required</i>	LOCKWASHER, 10 SS
11	031847	<i>as required</i>	NUT, 10-32 SS
12	039806	1	RESISTOR, ASSEMBLY (1KOhm)
13	024639	1	SOLENOID, PREHEAT 12 VDC
14	047748	1	HARNESS, ENGINE
15	030245	1	SOLENOID, STARTER MOTOR 30593 12 VDC
16	031786	1	LOCK WASHER, M 8 DIN 127
17	018242	1	NUT, M 8 DIN 934
18	047566	1	SOLENOID, FUEL SHUTOFF 12 VDC
21	024844	2	ADAPTER, 1/8 BSPT TO 1/8 NPT OIL HOSE TO BLOCK
22	024132	1	SENDER, OIL PRESSURE
24	037323	1	SWITCH, OIL PRESSURE
29	030125	1	SWITCH, WATER TEMPERATURE
30	037453	1	BUSHING, 1/4 NPT TO 1/8 NPT
31	035109	1	SENDER, WATER TEMPERATURE
32	047512	4	GLOW PLUG, 12VDC
33	041975	4	NUT
34	047562	1	WIRE, GLOWPLUG CONNECTING
35	200120	1	NUT, 1/4 NC KEPS
36	031904	3	NUT, 10-24 KEPS SS
37	039790	1	ALTERNATOR, 50 AMP 12 VDC
38	031086	1	BOOT
39	039144	1	DIAGRAM, WIRING

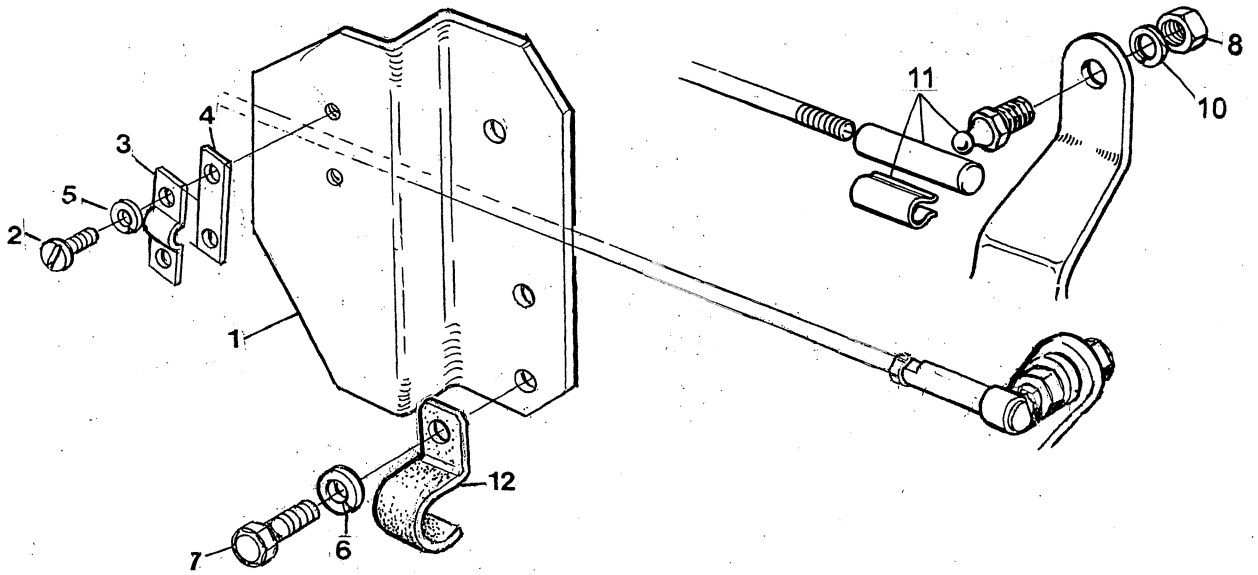
# WARNER HYDRAULIC TRANSMISSION



# WARNER HYDRAULIC TRANSMISSION

Item	Part No.	Quantity	Name/Description
1	036650	1	COOLER, OIL
2	011411	2	CLAMP, HOSE 32 - MOUNT COOLER TO BRACKET
3	013330	1	ELBOW, COOLER TO HOSE
4	013338	1	ELBOW, 3/8 NPT BRASS STREET 90
5	013057	1	BRACKET, COOLER MOUNT TO TRANSMISSION
6	011405	2	CLAMP, HOSE 16
7	011779	16	HOSE, 1" ID WIRE INSERTED - INCHES REQUIRED
8	036614	2	ELBOW, 3/4 NPT TO 1" HOSE
9	011471	1	PETCOCK, 1/8 NPT
10	013330	1	ELBOW, HOSE TO TRANSMISSION EXCEPT 2:1
11	011921	1	HOSE, OIL
12-1	022114	1	HOSE, OIL - 1:1 AND 2:1 TRANSMISSION
12-2	023567	1	HOSE, OIL - REDUCTION TRANSMISSION EXCEPT 2:1
13-1	013348	1	CONNECTOR, HOSE TO TRANSMISSION EXCEPT 2:1
13-2	013348	2	CONNECTOR, HOSE TO 2:1 TRANSMISSION
14-1	011630	1	GEAR, HYDRAULIC 1:1
14-2	011631	1	GEAR, HYDRAULIC 1.5:1
14-3	011633	1	GEAR, HYDRAULIC 2.5:1
15	019262	4	LOCK WASHER, M10 DIN 127
16	035003	4	CAPSCREW, M10 X 80 DIN 931
17	035004	2	STUD, M10 X 70 DIN 939
18	019262	2	LOCKWASHER, M10 DIN 127
19	015887	2	NUT, M10 DIN 934
20	031754	1	NUT, 1/4NF
21	031752	1	LOCK WASHER, 1/4
22	033482	1	BALL JOINT, SHIFT CABLE
23	031873	2	SCREW, 10-32 X 5/8 SS BH
24	013325	1	CLAMP, CABLE
25	013870	1	SHIM, CABLE CLAMP
26	031849	2	LOCKWASHER, 10 SS
27	031847	2	NUT, 10-32 SS
28	032315	1	BRACKET, SHIFT CABLE

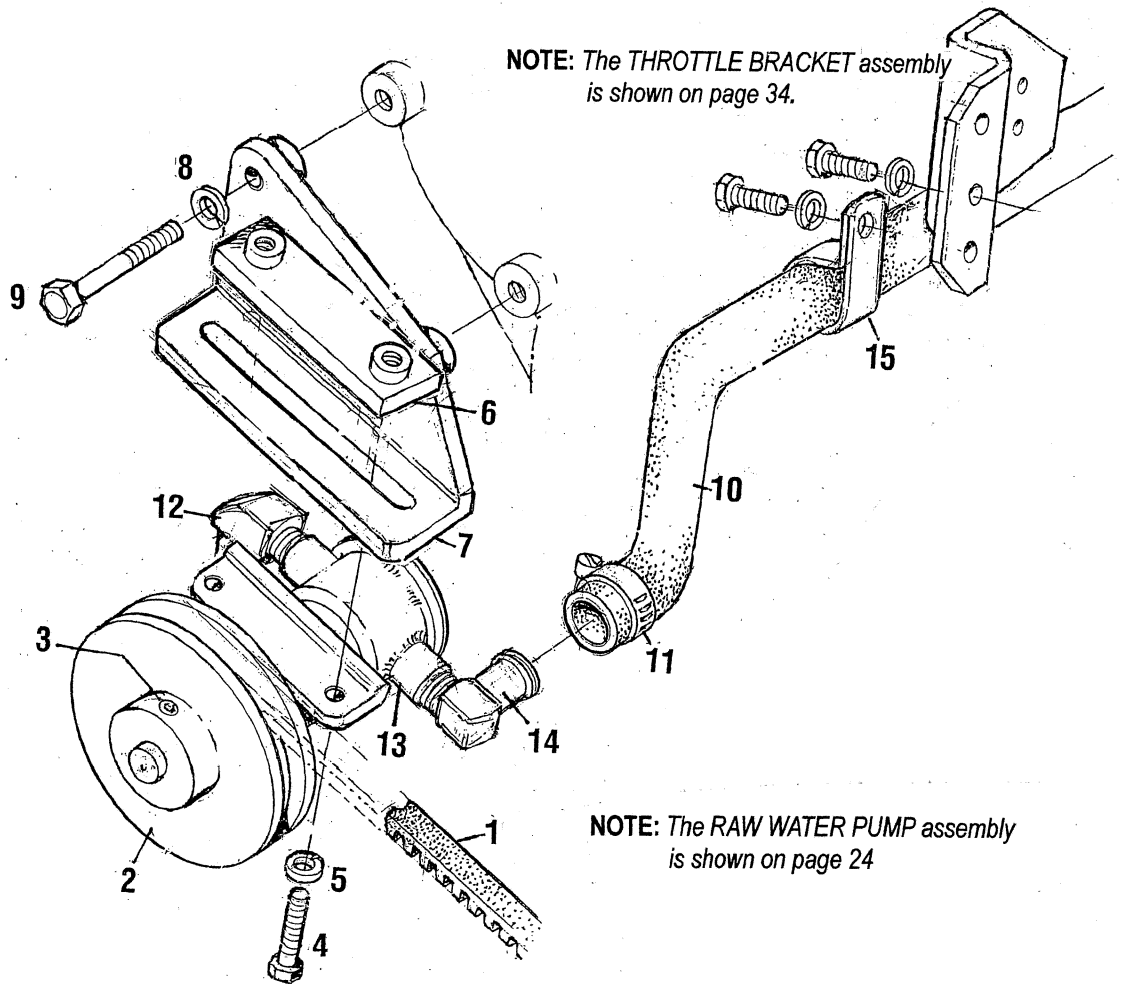
# THROTTLE BRACKET



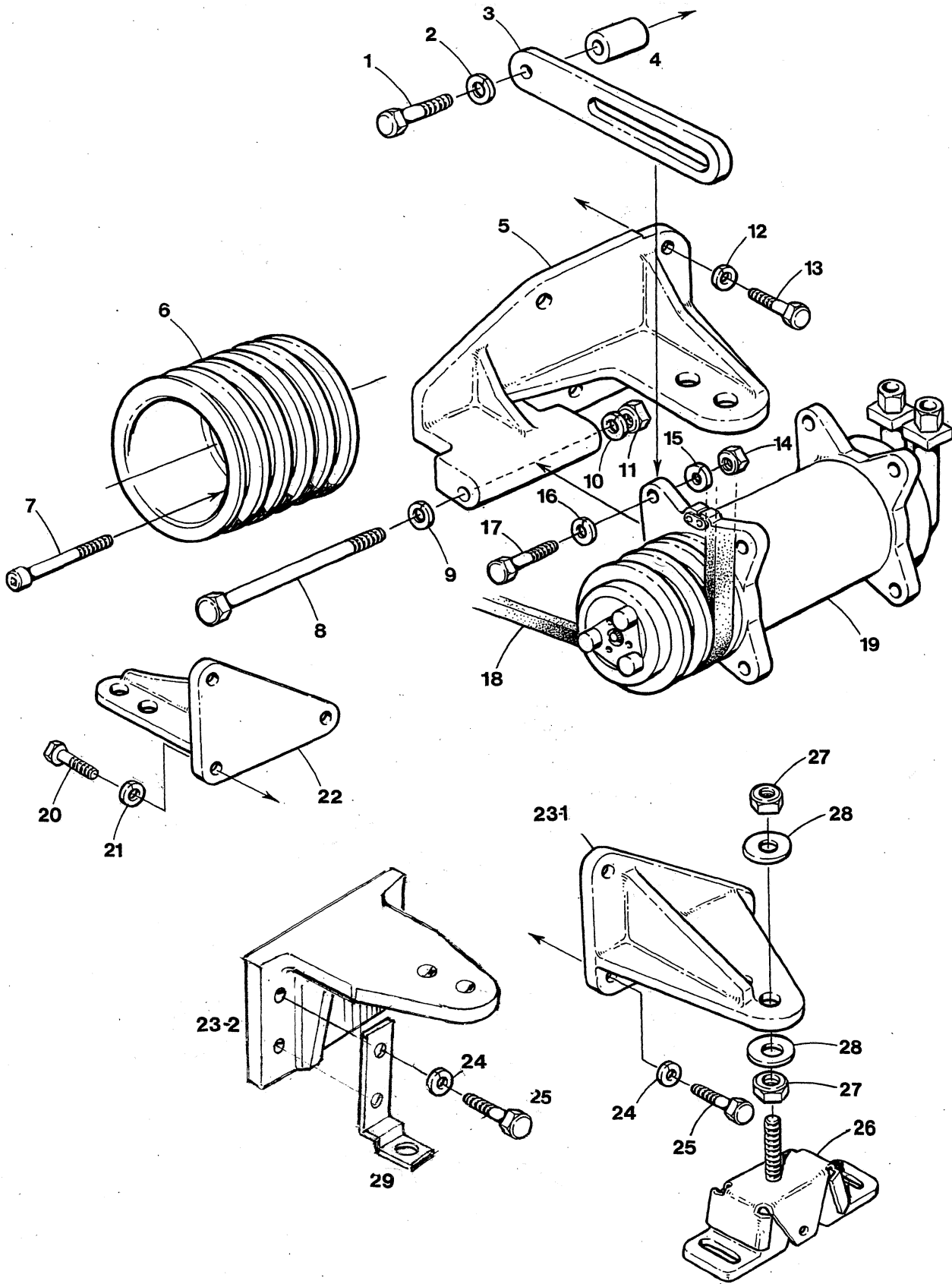
Item	Part No.	Quantity	Name/Description
1	047001	1	BRACKET, THROTTLE CABLE
2	031873	2	SCREW, 10-32 X 5/8 SS BH
3	013325	1	CLAMP, CABLE
4	013870	1	SHIM, CABLE CLAMP
5	031849	2	LOCKWASHER, 10 SS
6	031784	2	LOCKWASHER, M 6
7	017102	2	CAPSCREW, M 6 X 16MM
8	031847	1	NUT, 10-32 SS
10	031849	1	LOCKWASHER, 10 SS
11	019364	1	BALL JOINT
12	056534	1	SUPPORT CLAMP

# RAW WATER PUMP MOUNTING

Item	Part No.	Quantity	Name/Description
1	011361	1	BELT, SEA WATER PUMP
2	047661	1	PULLEY, SEA WATER PUM
3	011357	1	SETSCREW, M 8 (4MM ALLEN)
4	031813	2	CAPSCREW, M 8 X 1.25 X 80 DIN 961
5	031786	2	LOCKWASHER, M 8 DIN 127
6	033018	1	PLATE, SEA WATER PUMP ADJUSTING
7	047038	1	BRACKET, SEA WATER PUMP
8	031752	2	LOCKWASHER, 1/4
9	031752	2	CAPSCREW, 1/4 NF 1-1/4
10	047255	1	HOSE, 1" ID PRE-FORM PUMP TO EXCHANGER
11	011386	1	CLAMP, HOSE #12
12	034710	1	ELBOW, 3/8 NPT TO 7/8" HOSE
13	055624	1	PUMP, SEA WATER
14	036612	1	ELBOW, 3/8 NPT TO 1" HOSE
15	012292	1	CLAMP, SUPPORT



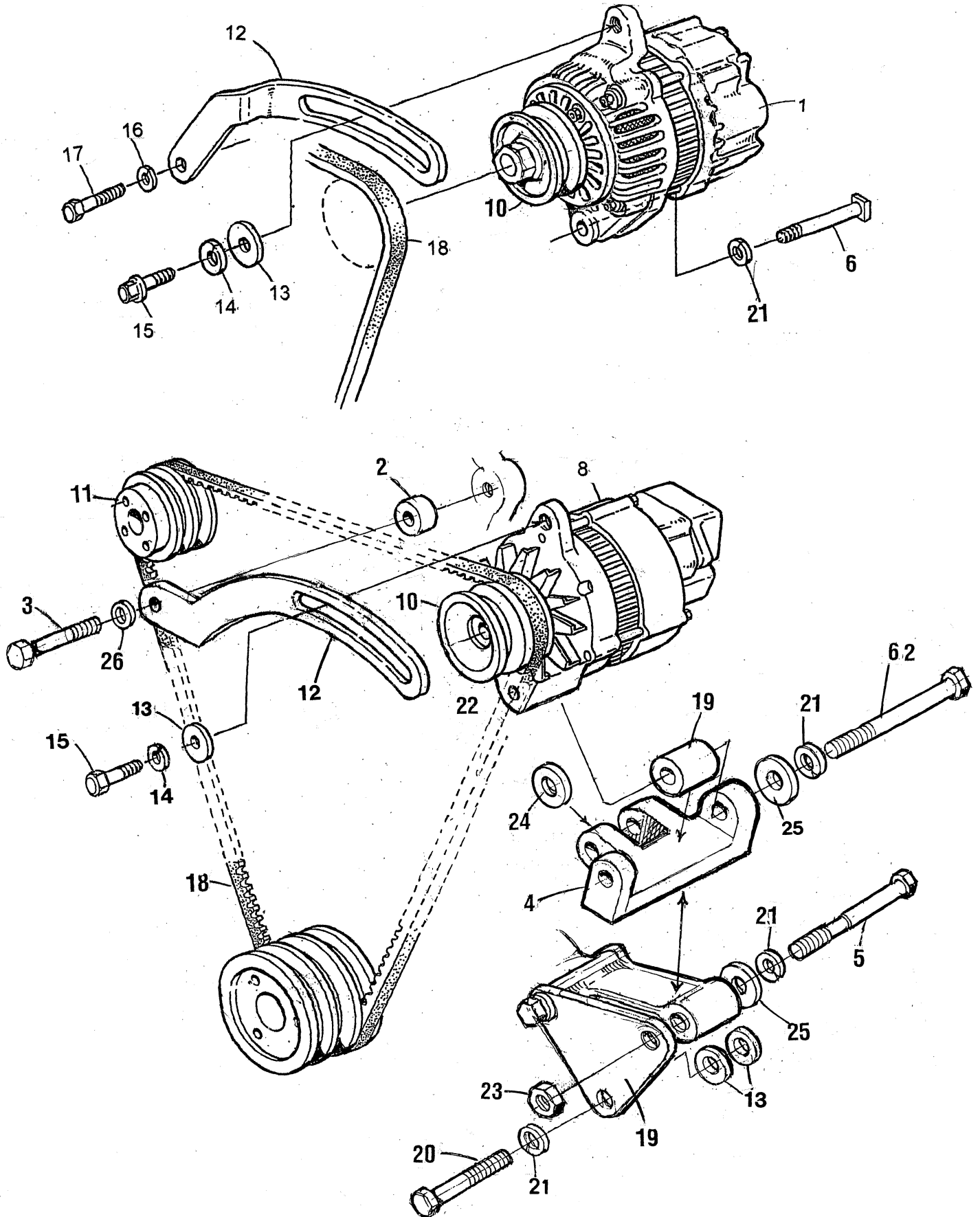
# FRONT MOUNTS AND COMPRESSOR MOUNTING SYSTEM



# FRONT MOUNTS AND COMPRESSOR MOUNTING SYSTEM

Item	Part No.	Quantity	Name/Description
1	033653	1	CAPSCREW, M 10 x 1.25 x 95 JIS-FLANGE
2	019262	1	LOCKWASHER, M 10 DIN 127
3	035338	1	STRAP, COMPRESSOR ADJUSTING
4	041023	1	SPACER
5	042181	1	MOUNT, FRONT LFT AND COMPRESSOR
6	043082	1	PULLEY, CRANKSHAFT 5 GROOVE
7	031925	6	CAPSCREW, M 8 X 35 DIN 912
8	031771	1	CAPSCREW, 7/16 NC X 5
9	031771	1	WASHER, 7/16 FLAT
10	031770	1	LOCKWASHER, 7/16
11	031786	1	NUT, 7/16 NC
12	031786	3	LOCKWASHER, M 8 DIN 127
13	017196	3	CAPSCREW, M 8 X 1.25 X 20
14	031766	1	NUT, 3/8 NF
15	031764	1	LOCKWASHER, 3/8
16	031765	1	WASHER, 3/8 FLAT
17	031632	1	CAPSCREW, 3/8 NF X 1-1/2
18	041024	1	BELT, COMPRESSOR DRIVE
19	_____		COMPRESSOR, SUPPLI3D BY SEA FROST <i>(customer purchase)</i>
20	034589	4	CAPSCREW, M 10 X 1.50 X 30 DIN
21	019262	4	LOCKWASHER, M 10 DIN 127
22	047314	1	MOUNT, FRONT RIGHT
23-1	047314	1	MOUNT, FRONT LEFT - NO COMPRESSOR
23-2	045559	1	MOUNT, FRONT LEFT 100-190 AMP ALTERNATOR
24	019262	4	LOCKWASHER, M 10 DIN 127
25	034589	4	M 10 X 1.25 X 30
26	040511	2	ISOLATOR, INCLUDING LOCKNUTS
27	040966	2	NUT, M 16 JAM SELF LOCKING
28	031828	2	WASHER, 5/8 FLAT

# ALTERNATOR, MOUNTS AND DRIVE BELTS



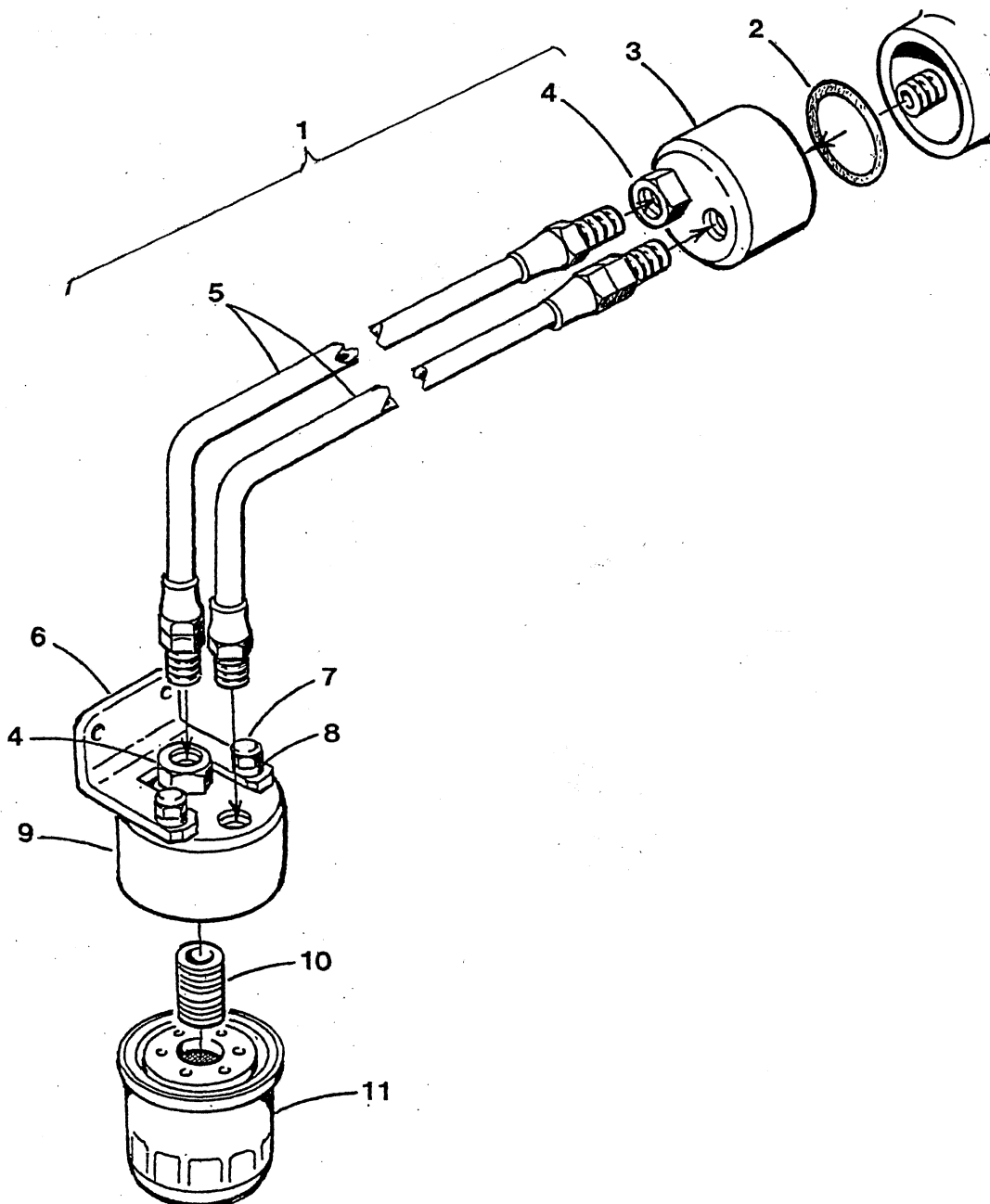


# ALTERNATOR, MOUNTS AND DRIVE BELTS

Item	Part No.	Quantity	Name/Description
1	039790	1	ALTERNATOR, 50 AMP 12 VDC W/ REGULATOR (STANDARD)
2	054910	1	SPACER, ALT STRAP
3	018812	1	CAPSCREW, M8 X 1.25 X 70 MM
4-1	046882	1	BRACKET, ALTERNATOR, 50 - 72 AMP
4-2	054909	1	BRACKET, ALTERNATOR, 90 - 190 AMP
5-1	055359	1	CAPSCREW, M10 X 1.25 X 90MM BRACKET 54909
5-2	055359	1	CAPSCREW, M10 X 1.25 X 90MM BRACKET 46822
6-1	053553	1	CAPSCREW, M10 X 1.25 X 90MM BRACKET 54909
6-2	031718	1	CAPSCREW, 1/2NC X 4.24 BRACKET 46822
7-1	039758	1	SPACER, 50 AMP
7-2	033473	1	SPACER, 90 - 190 AMP
8-1	052005	1	ALTERNATOR, 100 AMP 12 VDC (OPTIONAL)
8-2	030735	1	ALTERNATOR, 90 AMP 12 VDC W/REGULATOR (OPTIONAL)
8-3	038792	1	ALTERNATOR, 135 AMP 12 VDC (OPTIONAL)
8-4	038891	1	ALTERNATOR, 135 AMP ALTERNATOR (OPTIONAL)
8-5	038793	1	ALTERNATOR, 160 AMP 12 VDC (OPTIONAL)
8-6	038794	1	ALTERNATOR, 190 AMP 12 VDC (OPTIONAL)
8-7	052635	1	REGULATOR, 100 - 190 AMP ALTERNATOR (OPTIONAL)
9	033473	1	SPACER
10-1	045019	1	PULLEY, 50 - 72 AMP
10-2	053090	1	PULLEY, 90 AMP
10-3	049977	1	PULLEY, 100 - 190 AMP
11-1	047579	1	PULLEY, 1 GROOVE F/W PUMP
11-2	047691	1	PULLEY, 2 GROOVE F/W PUMP
12-1	043549	1	STRAP, ADJUSTING 90 AMP/135 - 190 AMP
12-2	055762	1	STRAP, ADJUSTING 50 AMP/100 AMP
13-1	033381	1	WASHER, 5/16
13-2	031765	1	WASHER, 3/8 FLAT
14-1	031785	1	LOCKWASHER, 5/16
14-2	031764	1	LOCKWASHER, 3/8
15-1	031556	1	CAPSCREW, 5/16NC X 1-1/4
15-2	031608	1	CAPSCREW, 3/8NC X 1-3/4
16	031758	1	LOCKWASHER, 5/16
17	031553	1	CAPSCREW, 5/16NC X 3/4
18-1	040018	1	BELT, 50 AMP ALTERNATOR
18-2	040018	1	BELT, 90 - 190 AMP ALTERNATOR
19	049212	1	PLATE, ALTERNATOR SUPPORT
20	018812	2	CAPSCREW, M8 X 1.25 X 70MM
21-1	031776	1	LOCKWASHER, 1/2 SPLIT
21-2	019262	1	LOCKWASHER, 10MM
22	054288	1	BUSHING, IN ALTERNATOR FOOT
23	024950	1	NUT, 10MM
24	042225	1	ALTERNATOR, BRACKET
25	054665	2	BUSHING, ALTERNATOR BRACKET
26	031786	1	LOCKWASHER, M8
27	055327	1	WIRE - AWG4, ALTERNATOR - NEGATIVE TO GROUND ALTERNATOR
28	043578	1	WIRE - AWG4, ALTERNATOR B+ TO STARTER

# REMOTE LUBE OIL FILTER ASSY.

Item	Part No.	Quantity	Name/Description
1	040078	1	REMOTE LUBE OIL - INCL REF #S 2 THRU 12
2	302842	1	
3	040075	1	REMOTE OIL FILTER
4	013348	2	HOSE
5	011925	2	OIL 40-1/4" LG
6	040074	1	REMOTE OIL FILTER
7	031503	2	1/4 NC X 3/4
8	031752	2	1/4 SPLIT MED STEEL
9	040073	1	REMOTE OIL FILTER
10	034663	1	OIL FILTER TO ADAPTER
11	036918	1	LUBE OIL
12	040076	1	REMOTE OIL FILTER



## WESTERBEKE 55B/C/D MISCELLANEOUS

Item	Part No.	Quantity	Name/Description
1-1	044071	1	KIT A, SPARE PARTS 55B/D
1-2	054298	1	KIT A, SPARE PARTS 55
2-1	044178	1	KIT B, SPARE PARTS EXTE DED CRUISING 55B
2-2	054299	1	KIT B, SPARE PARTS EXTE DED CRUISING 55C
2-3	055475	1	KIT B, SPARE PARTS EXTE DED CRUISING 55D
3-1	044038	1	GASKET SET, UPPER 55B
3-2	054300	1	GASKET SET, UPPER 55C
3-3	055472	1	GASKET SET, UPPER 55D
4-1	045552	1	GASKET SET, COMPLETE 55B
4-2	054301	1	GASKET SET, COMPLETE 55C
4-3	055473	1	GASKET SET COMPLETE 55D
5	043108	1	KIT, DIPSTICK (EXTENDED TO TOP ENGINE FRONT) 55B
6	050127	1	STRAINER, SEA WATER
7	044010	1	VALVE, ANTI-SIPHON
8-1	013758	1	PAINT, RED AEROSOL SPRAY CAN
8-2	042307	1	PAINT, WHITE AEROSOL SPRAY CAN
9	020654	1	SPLITTER, ALTERNATOR OUTPUT
10-1	030760	1	HARNES, 15 FOOT PANEL EXTENSION 8 PIN
10-2	036557	1	HARNES, 15 FOOT PANEL EXTENSION 4 PIN
11	040078	1	FILTER KIT REMOTE LUBE OIL 1
12-1	046206	1	KIT, FUEL HARDWARE 55B/D
12-2	055416	1	KIT, FUEL HARDWARE 55C
13	042286	1	MANUAL OPERATOR 1
14	049970	1	MANUAL, SERVICE
15	024177	1	KIT, REMOTE FRESH WATER SURGE TANK

## IMPORTANT

### Product Software Disclaimer

Product software of all kinds, such as brochures, drawing, technical data, operator's and workshop manuals, parts lists and parts price lists, and other information, instructions and specifications provided from sources other than Westerbeke, is not within Westerbeke's control and; accordingly, is provided to Westerbeke customers only as a courtesy and service. Westerbeke cannot be responsible for the content of such software, makes no warranties or representations with respect thereto, including the accuracy, timeliness or completeness thereof, and will in no event be liable for any type of damages or injury incurred in connection with, or arising out of, the furnishing or use of such software.

For example, components and subassemblies incorporated in Westerbeke's products and supplied by others (such as engine blocks, fuel systems and components, transmissions, electrical components, pumps and other products) are generally supported by their manufacturers with their own software, and Westerbeke must depend on such software for the design of Westerbeke's own product software. Such software may be outdated and no longer accurate. Routine changes made by Westerbeke's suppliers, of which Westerbeke rarely has notice in advance, are frequently not reflected in the supplier's software until after such changes take place.

Westerbeke customers should also keep in mind the time span between printings of Westerbeke product software and the unavoidable existence of earlier, non-current, Westerbeke software editions in the field. Additionally, most Westerbeke products include customer-requested special features that frequently do not include complete documentation.

In summation, product software provided with Westerbeke products, whether from Westerbeke or other suppliers, must not and cannot be relied upon exclusively as the definitive authority on the respective product. It not only makes good sense but is imperative that appropriate representatives of Westerbeke or the supplier in question be consulted to determine the accuracy and currency of the product software being consulted by the customer.







WESTERBEKE CORPORATION • 150 JOHN HANCOCK ROAD  
MYLES STANDISH INDUSTRIAL PARK • TAUNTON MA 02780  
WEBSITE: [WWW.WESTERBEKE.COM](http://WWW.WESTERBEKE.COM)